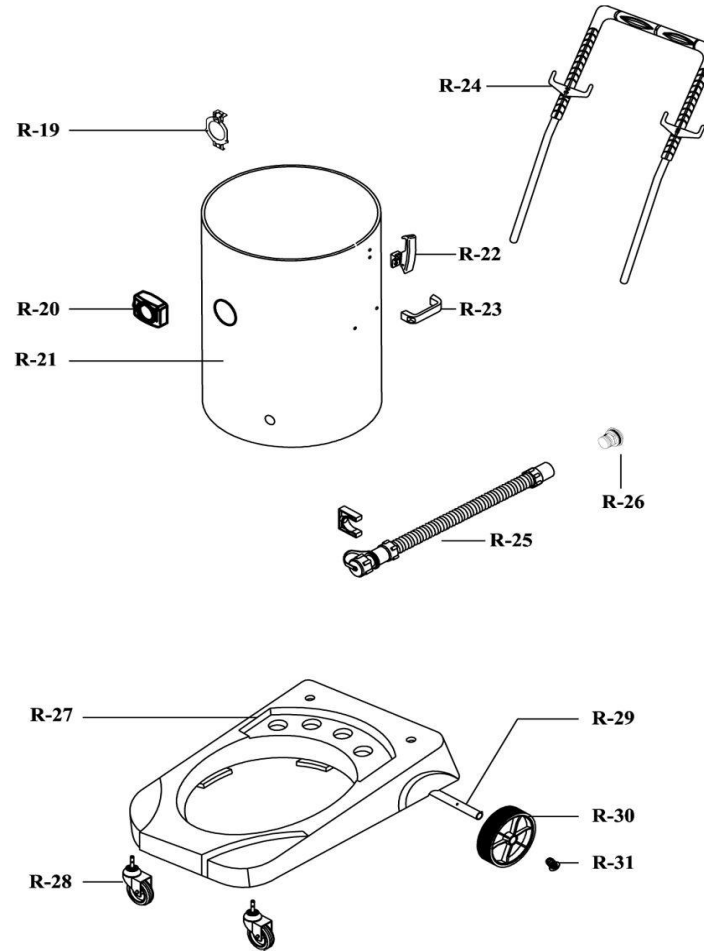
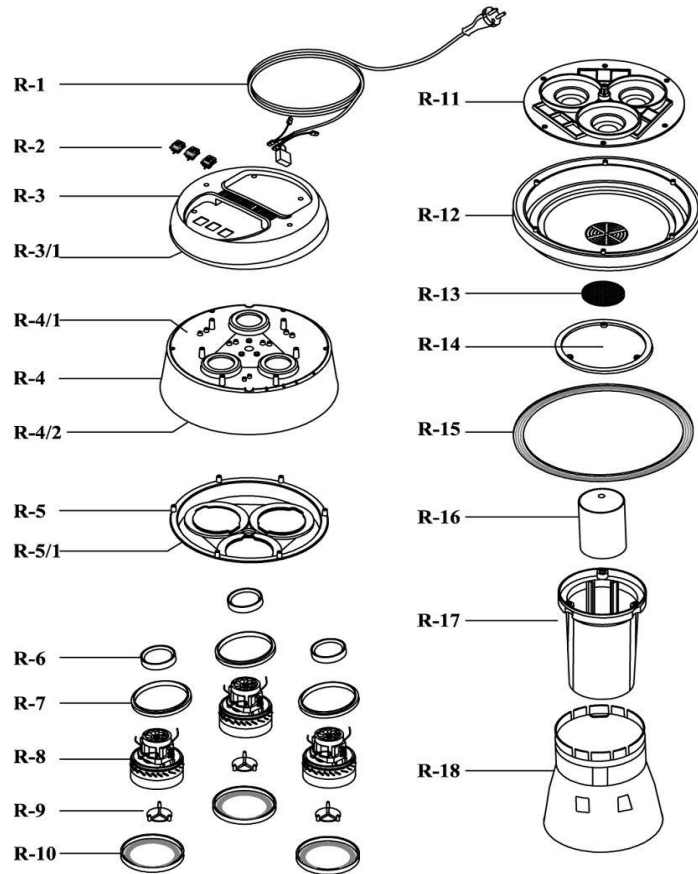


S 60-3 WD-P TYPE PR-P



S 60-3 WD-P PART LIST

PICTURE CODE	STOCK CODE	STOCK CODE NAME	PRICE CODE
R 1	1 40 580 11	ELECTRICAL CABLE	48
R 2	2 10 510 05	ON/OFF SWITCH	23
R 3	1 40 102 08	PROF.60 BODY COVER WITH THREE HOLES	39
R 3/1	1 40 690 06	PROF.60 SPONGE FOR BODY COVER	31
R 4	1 40 102 06	PROF.60 TOP MOTOR CYLINDER BLOCK	40
R 4/1	1 40 690 05	PROF.60 TOP INTERIOR SPONGE FOR CYLINDER BLOCK	31
R 4/2	1 40 690 04	PROF.60 TOP SPONGE FOR CYLINDER BLOCK	40
R 5	1 40 101 02	PROF.60 INTERIOR TOP MOTOR CYLINDER BLOCK	41
R 5/1	1 40 690 07	PROF.60 INTERIOR SPONGE	37
R 6	1 11 107 04	RUBBER MOTOR GASKET	15
R 7	1 14 107 08	PROF.TOP MOTOR GASKET	17
R 8	1 10 400 04	MOTOR	60
R 9	1 40 101 04	PROF.MOTOR NON-RETURN VALVE	9
R 10	1 40 107 03	PROF.60 LOWER MOTOR GASKET	18
R 11	1 40 101 01	PROF.60 INTERIOR LOWER MOTOR CYLINDER BLOCK	37
R 12	1 40 102 05	PROF.60 LOWER MOTOR CYLINDER BLOCK	41
R 13	1 40 690 08	PROF.60 MOTOR FILTER	9
R 14	1 40 107 10	PROF.60 FLOAT VALVE GASKET	11
R 15	1 40 107 01	PROF.60 BODY GASKET	25
R 16	1 40 101 06	PROF.60 BUOY	25
R 17	1 40 102 10	PROF.60 FLOAT VALVE	34
R 18	1 40 102 11	FLOAT VALVE PROTECTOR	34
R 19	1 10 102 01	DUSTBAG CLIPS	2
R 20	2 40 000 03	PROF.60 SUCTION MOUTH GROUP	28
R 21	1 40 105 03	PROF.60 PLASTIC TANK	61
R 22	2 40 106 01	LOCKING LATCH FOR PLASTIC TANK	25
R 23	1 40 101 03	PROF.60 TANK HANDLE	16
R 24	1 40 102 15	PROF.60 PLASTIC MOVING HANDLE LONG	49
R 25	2 40 000 09	PROF.60 EVACUATING HOSE GROUP 47 cm/34 mm diamet	44
R 26	1 40 102 45	PROF.60 EVACUATING MALE JACK GROUP	34
R 27	1 40 102 09	PROF.60 TANK BASE	51
R 28	1 40 200 16	PROF.60 METAL WHEEL	41
R 29	1 40 200 03	PROF.60 LONG WHEEL TUBE	31
R 30	1 40 102 12	PROF.60 BIG WHEEL	32
R 31	1 40 102 13	PROF.DOWEL FOR WHEEL	8