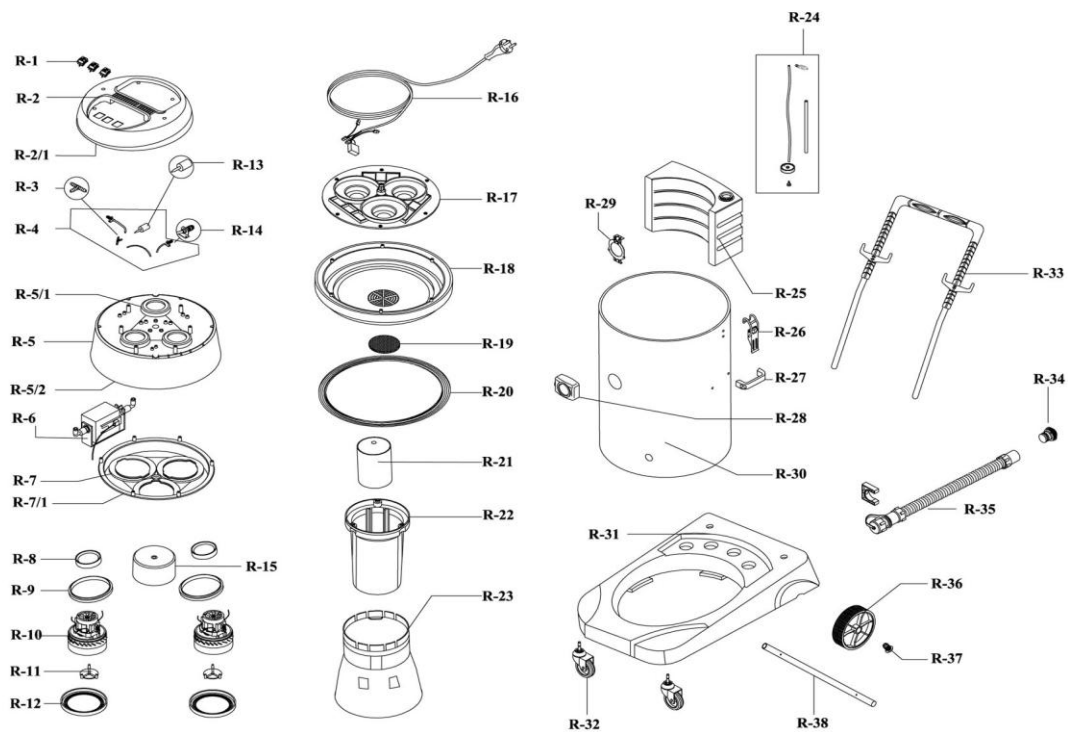


S 60 CC-M TYPE PR-P



S 60 CC-M CODE LIST

PICTURE CODE	STOCK CODE	STOCK CODE NAME	PRICE CODE
R 1	2 10 510 07	ON/OFF SWITCH	23
R 2	1 40 102 08	PROF.60 BODY COVER	39
R 2/1	1 40 690 06	PROF.60 SPONGE FOR BODY COVER	31
R 3	1 40 770 08	PROF.T METAL BODY	41
R 4	2 40 770 10	PROF.60 BY-PASS GROUP	54
R 5	1 40 102 06	PROF.60 TOP MOTOR CYLINDER BLOCK	40
R 5/1	1 40 690 05	PROF.60 SPONGE FOR CYLINDER BLOCK	31
R 5/2	1 40 690 04	MOTOR INTERIOR ROUND SPONGE	40
R 6	2 40 770 08	PROF.60 PUMP GROUP	64
R 7	1 40 101 02	PROF.60 INTERIOR TOP MOTOR CYLINDER BLOCK	41
R 7/1	1 40 690 07	PROF. MOTOR CYLINDER BLOCK SPONGE	37
R 8	1 11 107 04	RUBBER MOTOR GASKET	15
R 9	1 14 107 08	PROF.TOP MOTOR GASKET	17
R 10	1 10 400 04	MOTOR	60
R 11	1 40 101 04	PROF.MOTOR NON-RETURN VALVE	9
R 12	1 40 107 03	PROF.LOWER MOTOR GASKET	18
R 13	1 40 771 02	PROF.CONTACT BREAKER	47
R 14	2 40 770 09	PROF.60 BY-PASS ADAPTOR GROUP	44
R 15	1 40 101 07	MOTOR BEAKER	22
R 16	1 40 580 11	ELECTRICAL CABLE	48
R 17	1 40 101 01	PROF.60 MOTOR INTERIOR LOWER COVER	37
R 18	1 40 102 05	PROF.MOTOR LOWER BONNET	41
R 19	1 40 690 08	PROF.MOTOR FILTER	9
R 20	1 40 107 01	PROF.BODY GASKET	25
R 21	1 40 101 06	BUOY	25
R 22	1 40 102 10	FLOAT VALVE	34
R 23	1 40 102 11	FLOAT VALVE PROTECTOR	34
R 24	2 40 000 04	PROF.60 WATER TANK HOSE GROUP	46
R 25	1 40 105 02	PROF.60 WATER TANK	44
R 26	2 40 200 01	LOCKING LATCH FOR METAL TANK	31
R 27	1 40 101 03	PROF.TANK HANDLE	16
R 28	2 40 000 03	PROF.SUCTION MOUTH GROUP	28
R 29	1 10 102 01	DUSTBAG CLIPS	2
R 30	1 40 220 06	PROF.60 METAL TANK WITH TAP	63
R 31	1 40 102 09	PROF.60 TANK BASE	51
R 32	1 40 200 16	PROF.75 METAL WHEEL	41
R 33	1 40 102 15	PROF.PLASTIC MOVING HANDLE LONG	49
R 34	1 40 102 45	PROF. EVACUATING MALE JACK GROUP	34
R 35	2 40 000 09	PROF. EVACUATING HOSE GROUP 47 cm/34 mm diameter	44
R 36	1 40 102 12	PROF. BIG WHEEL	32
R 37	1 40 102 13	PROF.DOWEL FOR WHEEL	8
R 38	1 40 200 03	PROF.LONG WHEEL TUBE	31