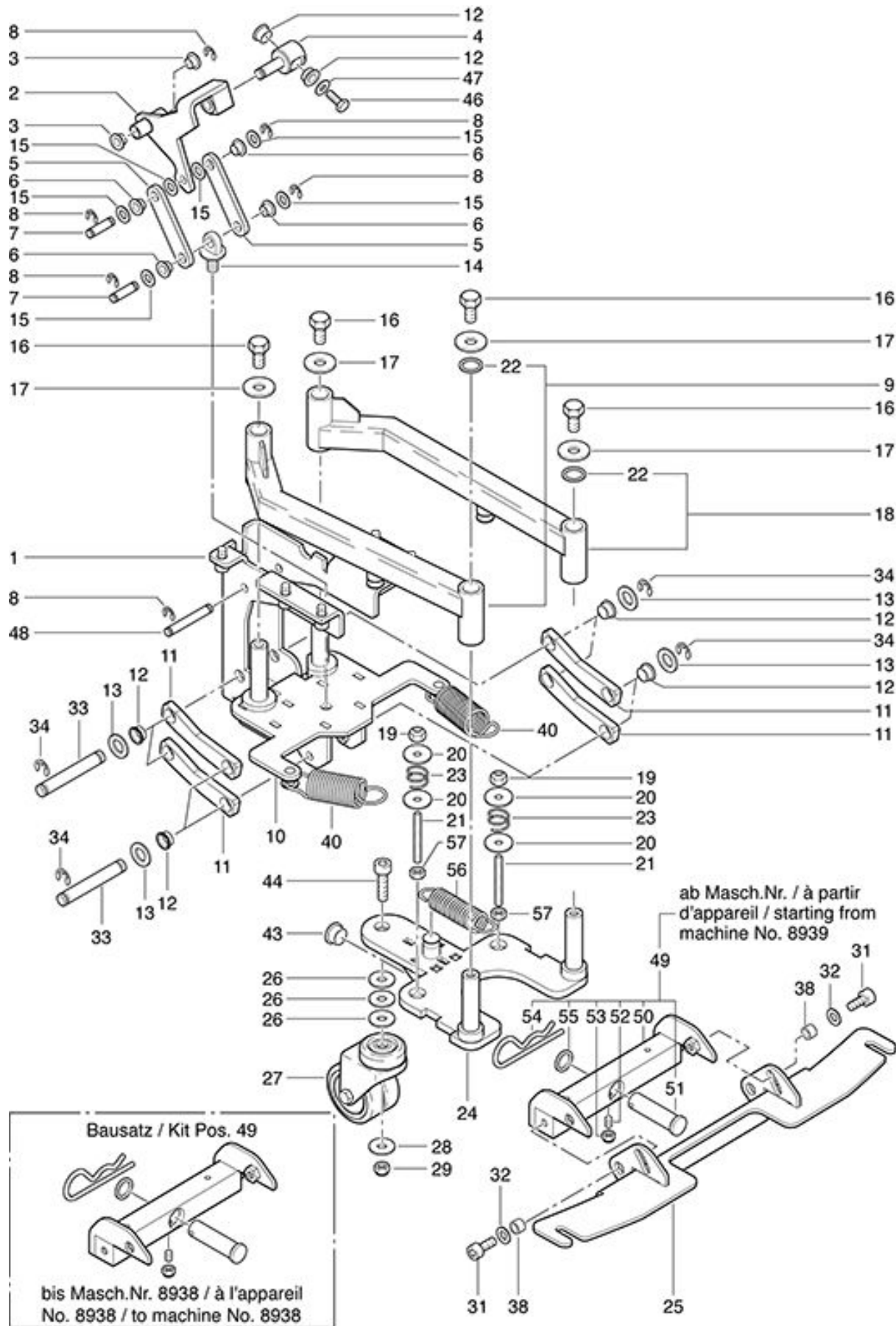


RA 900 Sauber
Nozzle support

As at: 10/17/11 Time:15:04



RA 900 Sauber

Nozzle support

As at: 10/17/11 Time:15:04

Pos.	Description	Reference
01	Nozzle support	800.152
02	Lever	800.271
03	permaglide sleeve 10/12	500.123
04	Guide pin	800.273
05	Connectiong loop	800.286
06	Permaglide sleeve 8/10	P...321 D
07	Axis	800.292
08	Lockring Ø 6	P...500 K
09	Tturnpipe left compl. incl. Pos. 22	800.295 K
10	Mounting plate compl.	800.280
11	Rod	800.278
12	Permaglide sleeve 12/14	P...321 F
13	U-shim M 12	P...497 S
14	Articulation cone	800.284
15	U-shim M 8	P...496 P
16	Allen screw M 10x16	P...472 W
17	U-shim M 10	P...510 M
18	Turnpipe right compl. incl. pos. 22	800.296 K
19	Locknut M 6	P...493 K
20	Spacer Ø 6x25	P...510 L
21	Grub allen screw M 6x60	P...489 M
22	Permaglide sleeve 16/18/12	800.289
23	Pressure spring	P...809 E
24	Turn plate compl.	800.294
25	Nozzle support angle	800.430
26	U-shim M 8	P...497 T
27	Double swivel roller Ø 50	P...205 D
28	U-shim M 8	P...496 P
29	Locknut M 8	P...492 N
30	Put before spring	P...511 D
31	Allen screw M 8x16	P...489 I
32	U-shim M 8	P...497 T
33	Axis 12x82	800.279
34	Disk 9/18,8/1,1 A2	P...499 N
38	Bearing bush panning support	710.528
40	Mainspring	800.287
43	Permaglide sleeve	800.289
44	Allen screw M 8x35	P...487 ZA
46	Allen screw M 5x16	P...472 G
47	U-shim M 5	P...497 I
48	Axle	800.275
49	Nozzle holder compl.	800.427
50	Nozzle holder starting from masch. No. 8939	800.427 A
51	Pin starting from masch. No. 8939	800.426

52	Grub screw M 6x12 starting from masch. No. 8939	P...480 ZA
53	Stopp nut starting from masch. No. 8939	P...493 K
54	Fuse starting from masch. No. 8939	P...511 D
55	Washer starting from masch. No. 8939	P...496 AB
56	Mainspring	800.293
57	Hexagon nut M 6	P...490 D