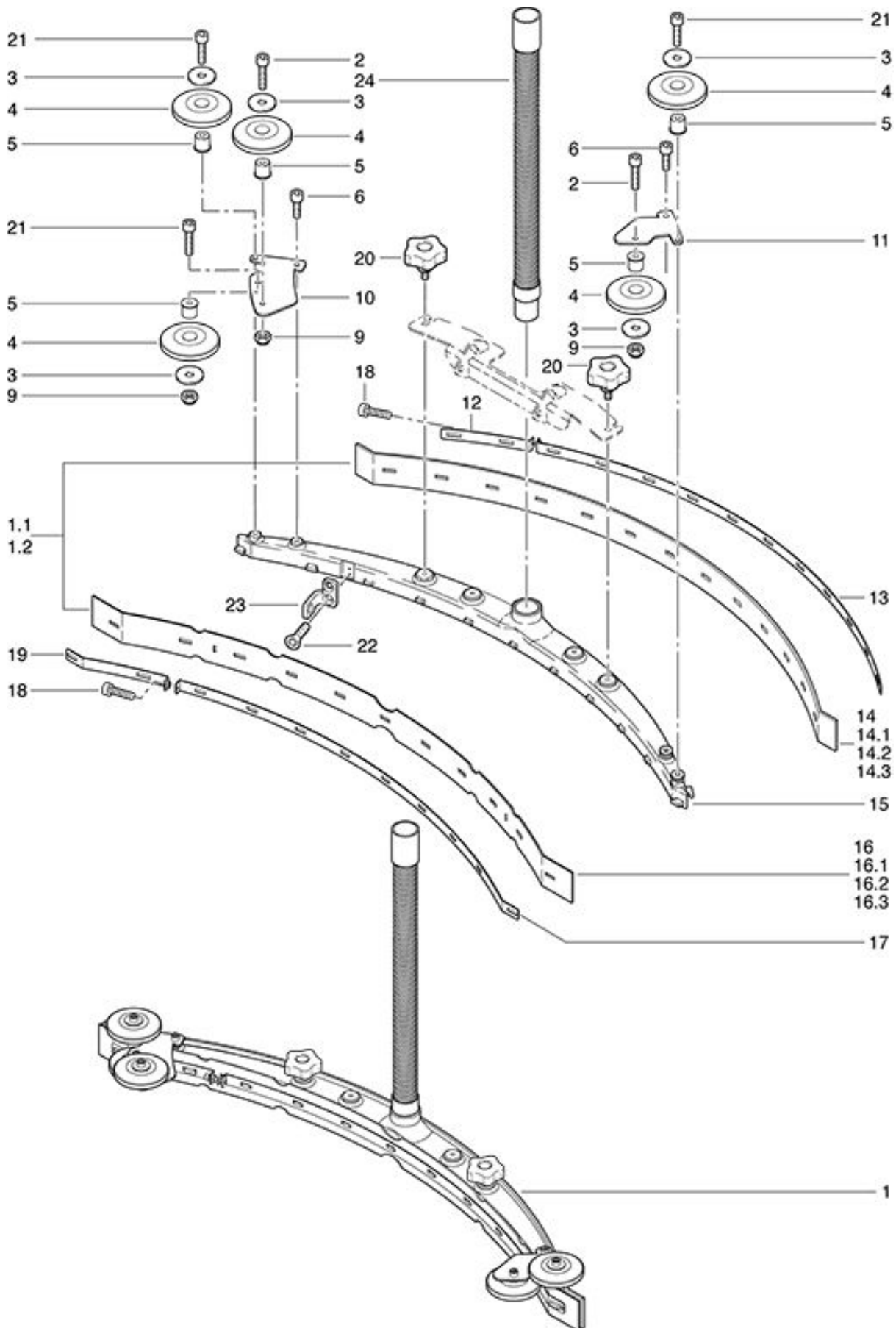


RA 900 Sauber
Suction nozzle

As at: 10/18/11 Time:09:03



RA 900 Sauber

Suction nozzle

As at: 10/18/11 Time:09:03

Pos.	Description	Reference
01	Suction nozzle compl.	800.550
01.1	Rubber blade, oil resistant	800.081
01.2	Rubber blade, standard	800.082
02	Allen screw M 8x40	P...473 E
03	U-shim M 8	P...500 N
04	Roller	800.561
05	Bolt short	800.423
06	Allen screw M 8x20	P...489 J
09	Locknut M 8	P...491 U
10	Fastening plate right	800.417
11	Fastening plate left	800.418
12	Holding plate small back	800.413
13	Support rail	800.411
14	Vacuum nozzle back, beige 5 mm	800.603
14.1	Vacuum nozzle back, transparency 5 mm	800.605
14.2	Vacuum nozzle back, beige 5 mm	800.603 A
14.3	Vacuum nozzle back, transparency 5 mm	800.605 A
15	Suction nozzle body	800.415
16	Vacuum nozzle front, grey 3 mm	800.602
16.1	Vacuum nozzle front, transparency 3 mm	800.604
16.2	Vacuum nozzle front, grey 3 mm	800.602 A
16.3	Vacuum nozzle front, transparency 3 mm	800.604 A
17	Holding front	800.414
18	Adjusting screw	800.425
19	Holding plate front	800.412
20	Asterisk grasp screw Ø 62 M 8x18 mm	P...253 M
21	Allen screw M 8x35	P...473 D
22	Countersunk screw	P...479 A
23	Guidance angle	800.416
24	Hose complete	800.580