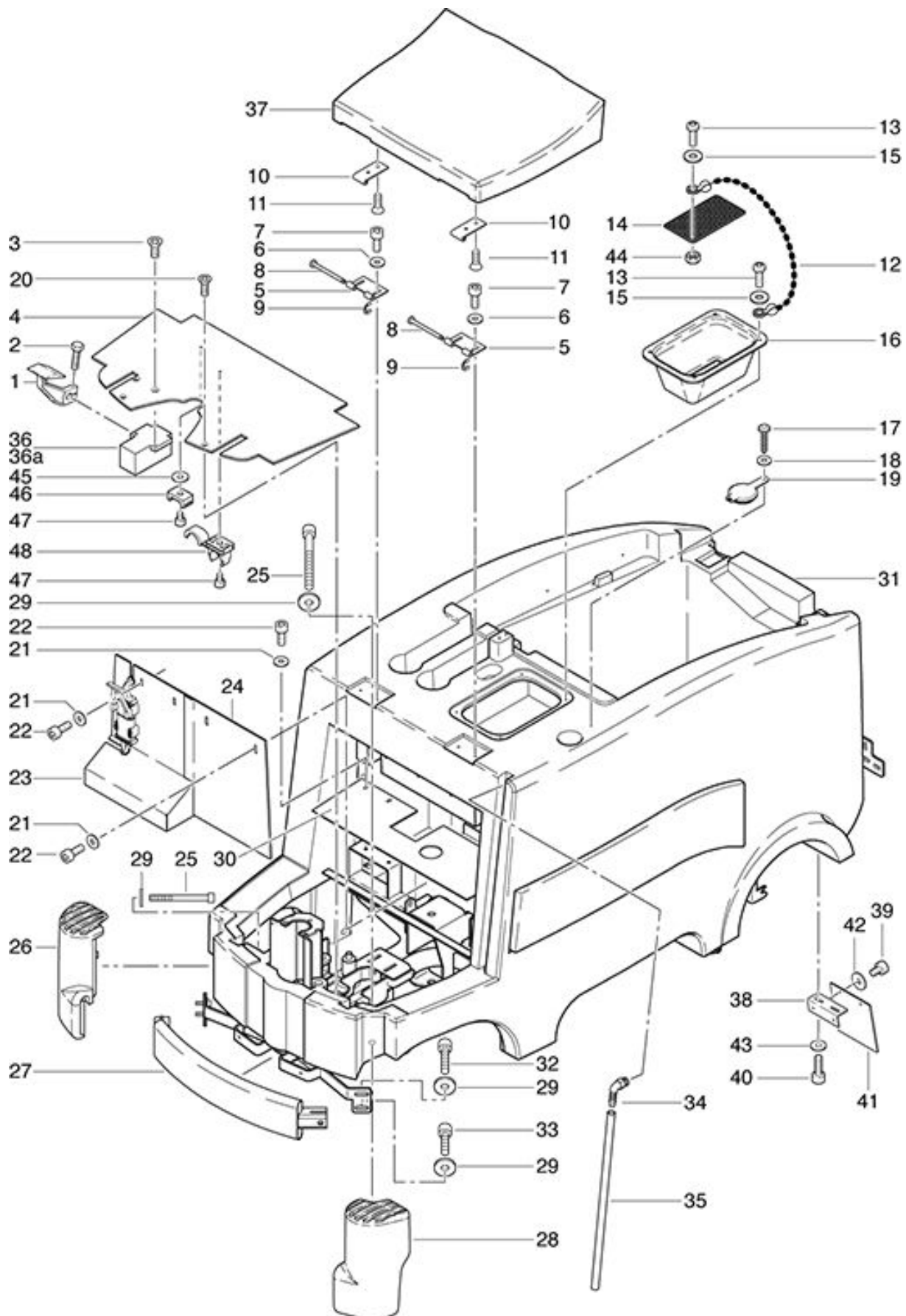


RA 900 Sauber Freshwatertank

As at: 10/17/11 Time:14:53



RA 900 Sauber Freshwatertank

As at: 10/17/11 Time:14:53

Pos.	Description	Reference
01	Foot pedal drive motor	800.003
02	Allen screw M 6	P...470 U
03	Allen screw M 8x12	P...479 R
04	Bottom plate	800.490
05	Hinge front	800.477
06	U-shim M 6	P...496 V
07	Allen screw M 8x16	P...488 P
08	Spindle for seathing	800.488
09	Lock washer	P...513 Z
10	Hinge for seat cushion	800.489
11	Allen screw M 6x12	P...487 U
12	Chain to perforated plate	060.105
13	Allen screw M 5x10	P...481 L
14	Perforated plate	800.497
15	U-shim M 5	P...497 G
16	Funnel tube	800.496
17	Sheet screw 4.8x19	P...483 O
18	U-shim M 4	P...497 C
19	Cover freshwatertank	800.465
20	Sink allen screw M 6x16	P...487 W
21	U-shim M 6	P...497 H
22	Allen screw M 6x16	P...486 R
23	Rear panel right	800.493
24	Rear panel left	800.492
25	Allen screw M 8x100	P...472 X
26	Corner bumper front right	800.360
27	Bumper compl.	800.345
28	Corner bumper front left	800.365
29	U-shim M 8	P...495 Z
30	Cover plate	800.494
31	Freshwatertank compl.	800.450
32	Allen screw M 8x40	P...487 I
33	Allen screw M 8x30	P...488 V
34	angle nozzle 12/ 3/8"	P...541 D
35	Level indicator	800.452
36	Potentiometer drive motor	800.005
36a	Pedal with potentiometer drive motor	800.710
37	Seat cushion	800.486
38	Support angle	800.473
39	Pen head screw M 6x8	P...475 P
40	Allen screw M 6x16	P...488 P
41	Spraying protection rag	800.626
42	U-shim M 6x25	P...510 L
43	U-shim M 6x18	P...497 H

44 Hexagon nut M 6
45 Washer M 5
46 Cable strap owner
47 Allen screw M 5x6
48 PMA Clip NW 12

P...493 G
P...497 E
125.111
P...489 C
P...571 F