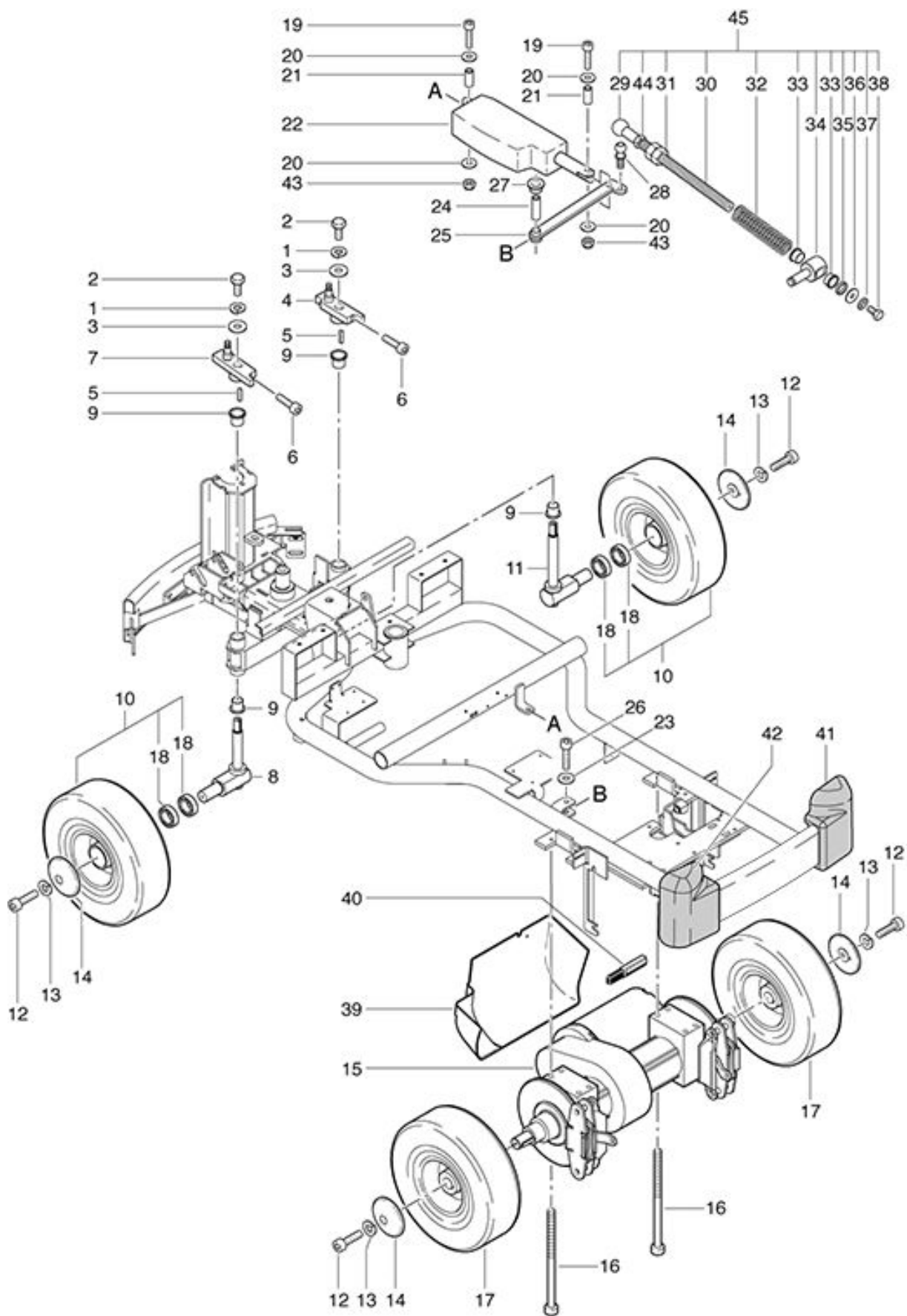


RA 900 Sauber Drive unit for wheel support

As at: 10/17/11 Time:14:29



RA 900 Sauber

Drive unit for wheel support

As at: 10/17/11 Time:14:29

Pos.	Description	Reference
01	Feather ring M 8	P...498 N
02	Allen screw M 8x16	P...472 V
03	U-shim M 8	P...497 T
04	Steering blade right	800.164
05	Cotter 5x5x20	P...474 E
06	Allen screw M 5x20	P...488 I
07	Steering blade left	800.162
08	Axis blade left	800.160
09	Permaglide sleeve	800.158
10	Frontwheel front incl. Bearing Pos. 18	800.165
11	Axis blade right	800.161
12	Allen screw M 8x25	P...487 D
13	Feather ring M 8	P...500 H
14	Wheel cover red	800.175
15	Traction motor 24V, 800W	800.156
16	Allen screw M 8x140	P...489 L
17	Backwheel	800.157
18	Ball bearing impeller in front	800.166
19	Allen screw M 5x30 INOX	P...488 Z
20	U-shim M 5	P...497 E
21	Distance washer Ø 10x22.5	800.233
22	Adjustment drive suction nozzle	800.245
23	U-shim M 6	P...497 H
24	Distanz washer	800.255
25	Lever to nozzle removal	800.254
26	Allen screw M 6x40	P...486 Y
27	Permaglide sleeve	530.182
28	Ball stud with thread	P...512 D
29	Ball cup	P...512 C
30	Stroke seaweeds	800.262
31	Hexagon nut M 12	P...490 G
32	Compression spring Ø 88x18.5x2.5	800.290
33	Permaglide sleeve	P...321 F
34	Guide pin	800.273
35	Distance ring	800.291
36	Disk INOX M 5	P...497 E
37	Lock washer M 5	P...498 D
38	Allen screw INOX M 5x10	P...472 E
39	Engine boarding	800.511
40	Pair of carbon brushes	800.156 KB
41	Buffer rear right	800.370
42	Buffer rear left	800.375
43	Stop screw nut M 5	P...493 G
44	Nut M 8	P...490 E

