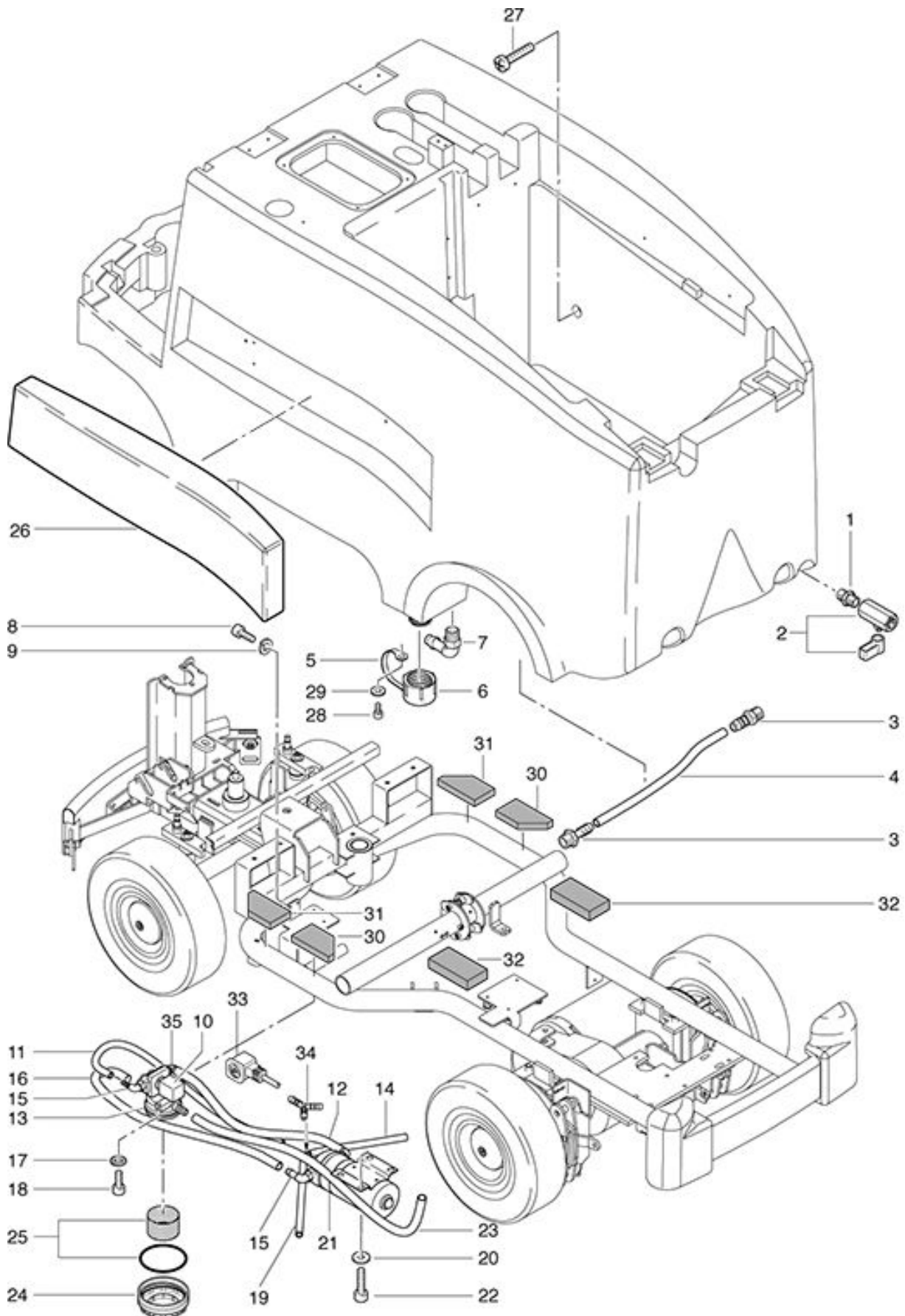


**RA 900 Sauber
Waterdistribution**

As at: 10/18/11 Time:10:12



RA 900 Sauber Waterdistribution

As at: 10/18/11 Time:10:12

Pos.	Description	Reference
01	Double nipple	P...520 E
02	Ball stop cock	500.355
03	Nipple straight 12/R 3/8"	P...540 N
04	Connecting hose	800.048
05	Loop for cover	500.414
06	Cover	500.413
07	Angle nipple	P...541 C
08	Allen screw M 4x12	P...488 A
09	Spring ring M 4	P...500 E
10	Magnetic valve	500.291 E
11	Hose magnetic valve	800.045
12	Hose pump	800.043
13	Water filter	430.759 A
14	Hose brush right	800.047
15	Angle nipple WES 8/R3/8”	P...541 M
16	Hose water filter	800.042
17	Serrated washer M 4	P...499 B
18	Allen screw M 4x12	P...486 A
19	Hose brush left	800.046
20	U-shim M 5	P...497 E
21	Membrane pump 24 V	P?824
22	Allen screw M 5x20	P...488 I
23	Hose freshwatertank-filter	800.041
24	Filter cover	430.258
25	Filter kit	430.759 A
26	Impact protection	800.470
27	PT screw KA 50x35	P...515 N
28	Allen screw M 6x16	P...497 H
29	U-shim M 6	P...488 P
30	Rubber support	800.454
31	Rubber support narrowly	800.454 A
32	Rubber documents to freshwater tank starting from Masch.Nr.8736.001	800.461
33	Single solenoid valva plug	800.316
34	Y-piece 8 mm	P...542 E
35	Angle nipple WES 12/R3/8"	P...541 D