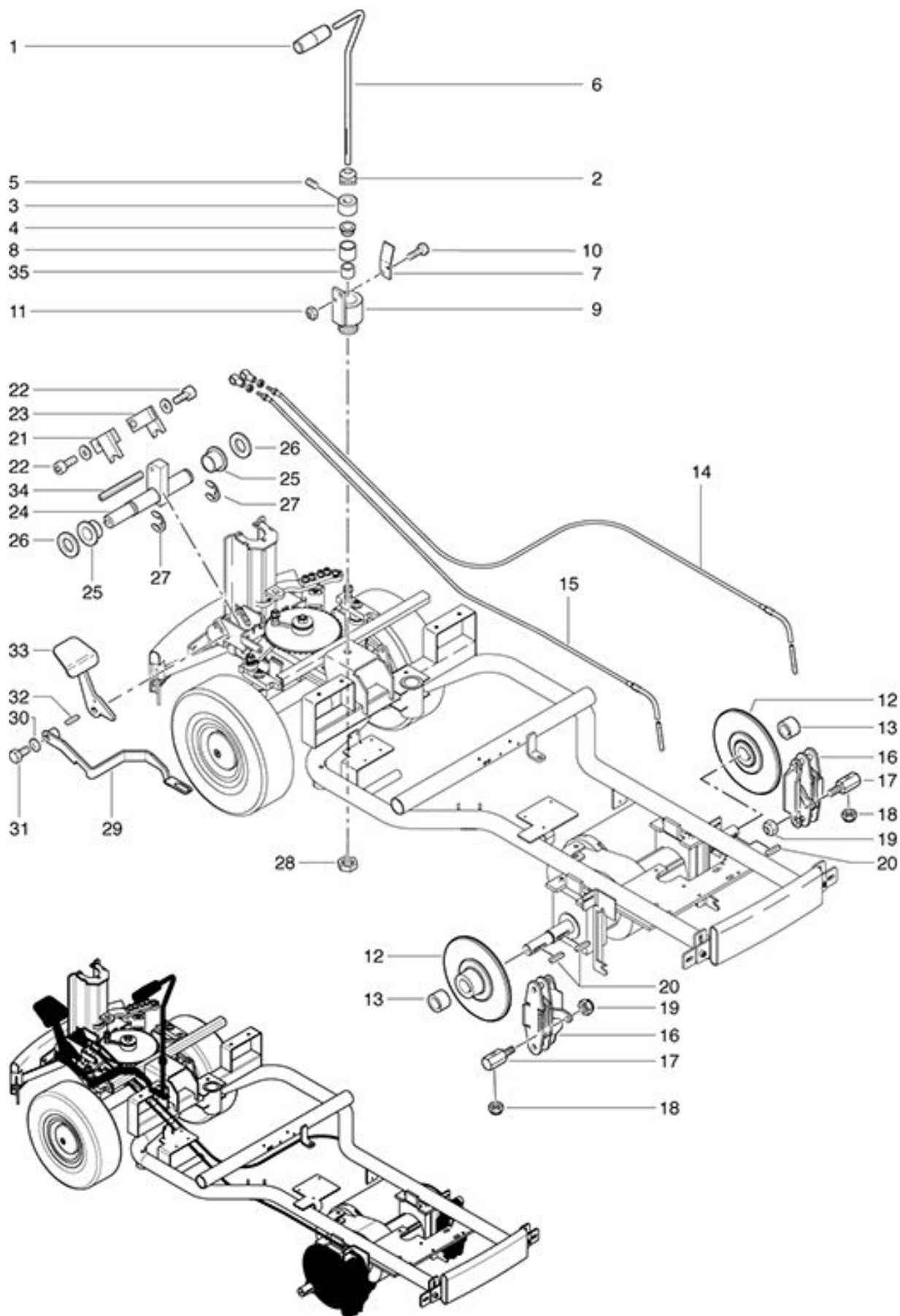


RA 900 Sauber Brake system

As at: 10/14/11 Time:16:05



RA 900 Sauber

Brake system

As at: 10/14/11 Time:16:05

Pos.	Description	Reference
01	Control bar	P...085 H
02	Stop	800.172
03	Adjusting ring without grub screw	P...329
04	Flanged bearing sleeve	800.154
05	Grub screw M 6x6	P...481 C
06	Hand brake handle	800.240
07	Clip plate	800.238
08	Sleeve 20x12x10	800.154
09	Adjustment	800.239
10	Pan hed screw M 3x12	P...475 B
11	Locknut M 3	P...493 C
12	Brake disc compl.	800.226
13	Distance sleeve	800.173
14	Brake line right	800.335
15	Brake line left	800.338
16	Brake calipers	800.225
17	Holding plate f. brake cable	800.333
18	Locknut M 6	P...492 K
19	Locknut M 8	P...492 H
20	Feather key	P...474 B
21	Swing cone	800.241
22	Allen screw M 5x12	P...486 H
23	Adherence	800.242
24	Brake lever	800.230
25	Flanged bearing sleeve	800.231
26	U-shim M 16	P...500 R
27	Lockring	P...513 Z
28	Hexagon nut 3/8"	P...535 B
29	Control lever to emergency brake	800.237
30	Blower shim M 6	P...498 J
31	Allen screw M 6x12	P...472 R
32	Feather key	P...513 Q
33	Footbrake lever	800.235
34	Grub screw M 6x45	P...513 N
35	Permaglide sleeve 12/14/12	P...321