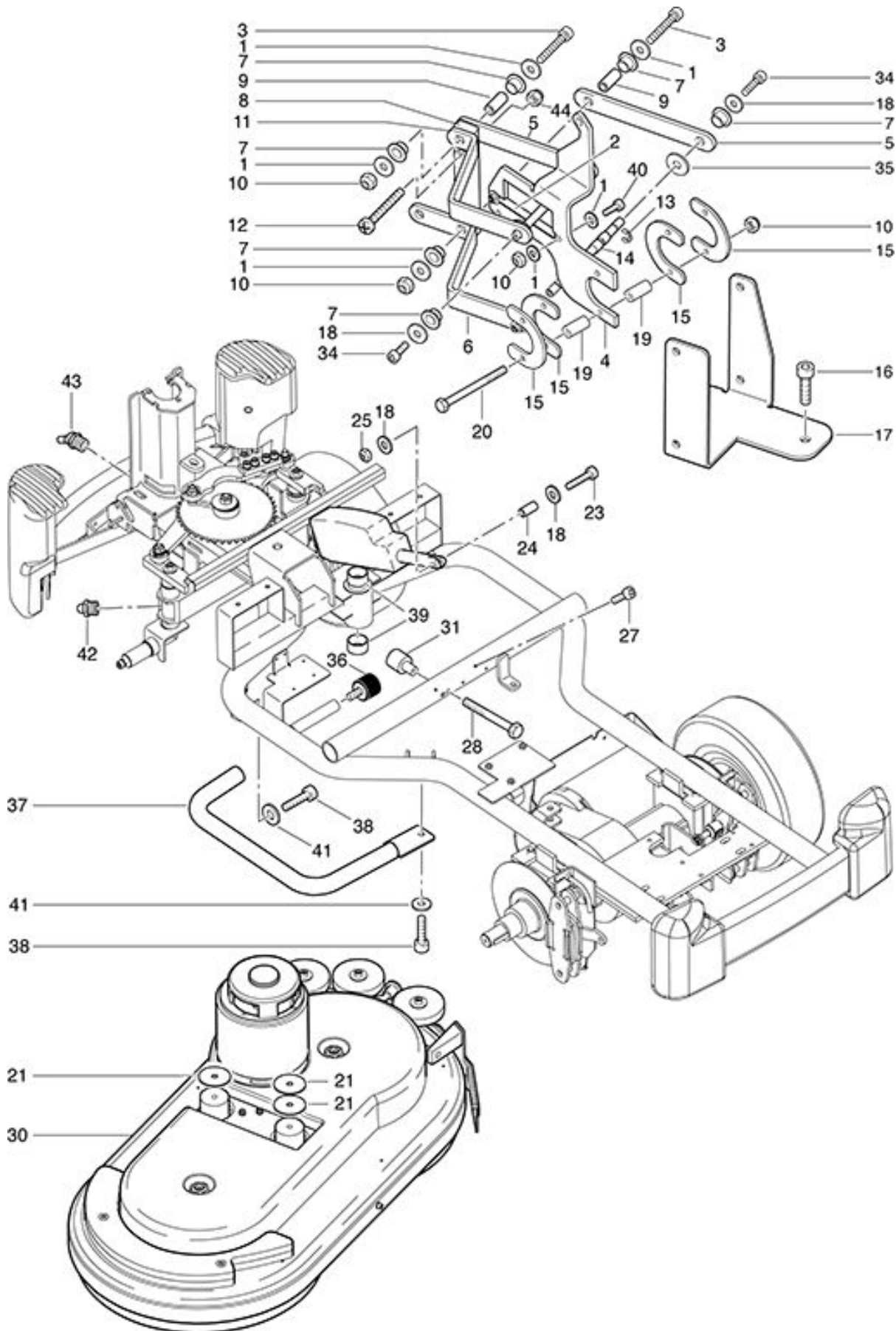


RA 900 Sauber
Brush device compl.

As at: 10/17/11 Time:09:19



RA 900 Sauber

Brush device compl.

As at: 10/17/11 Time:09:19

Pos.	Description	Reference
01	Washer M 6	P...496 L
02	Castor	800.215
03	Allen-screw M 6x40	P...486 Y
04	Lever	910.212
05	Rhomboid lever	800.213
06	Reset-bar	910.221
07	Permaglide sleeve 10 mm	530.182
08	Swivel pin	800.224
09	Bearing sleeve	800.211
10	Locknut M 6	P...493 K
11	Parallelogram cross-tie	910.218
12	Head screw M 4x40	P...476 K
13	Lockring 9 mm	P...500 L
14	Shaft	910.219
15	Clip for bearing	800.220
16	Hexagon screw M 10x25	P...470 D
17	Motor head holder	910.080
18	Spacer M 5	P...497 E
19	Distance sleeve 14x11	910.223
20	Hexagon screw M 6x100	P...470 J
21	Rondelle54x10.5x3	P...204 A
22	Adjusting motor 130 mm	800.222
23	Allen screw M 5x30	P...488 Z
24	Distance sleeve 10x22.5	800.233
25	Locknut M 5	P...493 G
27	Allen screw M 6x16	P...488 P
28	Hexagon screw M 8x80 to machine no.8606	P...473 J
30	Brush device compl.	910.050
31	Stopper pin	910.084
34	Allens crew M 5x16	P...488 G
35	Spacer M 10/10.5/30/2.5	P...496 S
36	Rubber buffer Ø=30x20 M 8x20	910.149
37	Handle	910.148
38	Cylindrical screw M 8x30	P...488 V
39	Permashide sleeve	800.159
40	Cylindrical screw M 6x16	P...477 K
41	U-shim M 8	P...496 P
42	Lubrication fitting straight	800.194
43	Lubrication fitting curved	800.193
44	Lock nut M 4	P...49