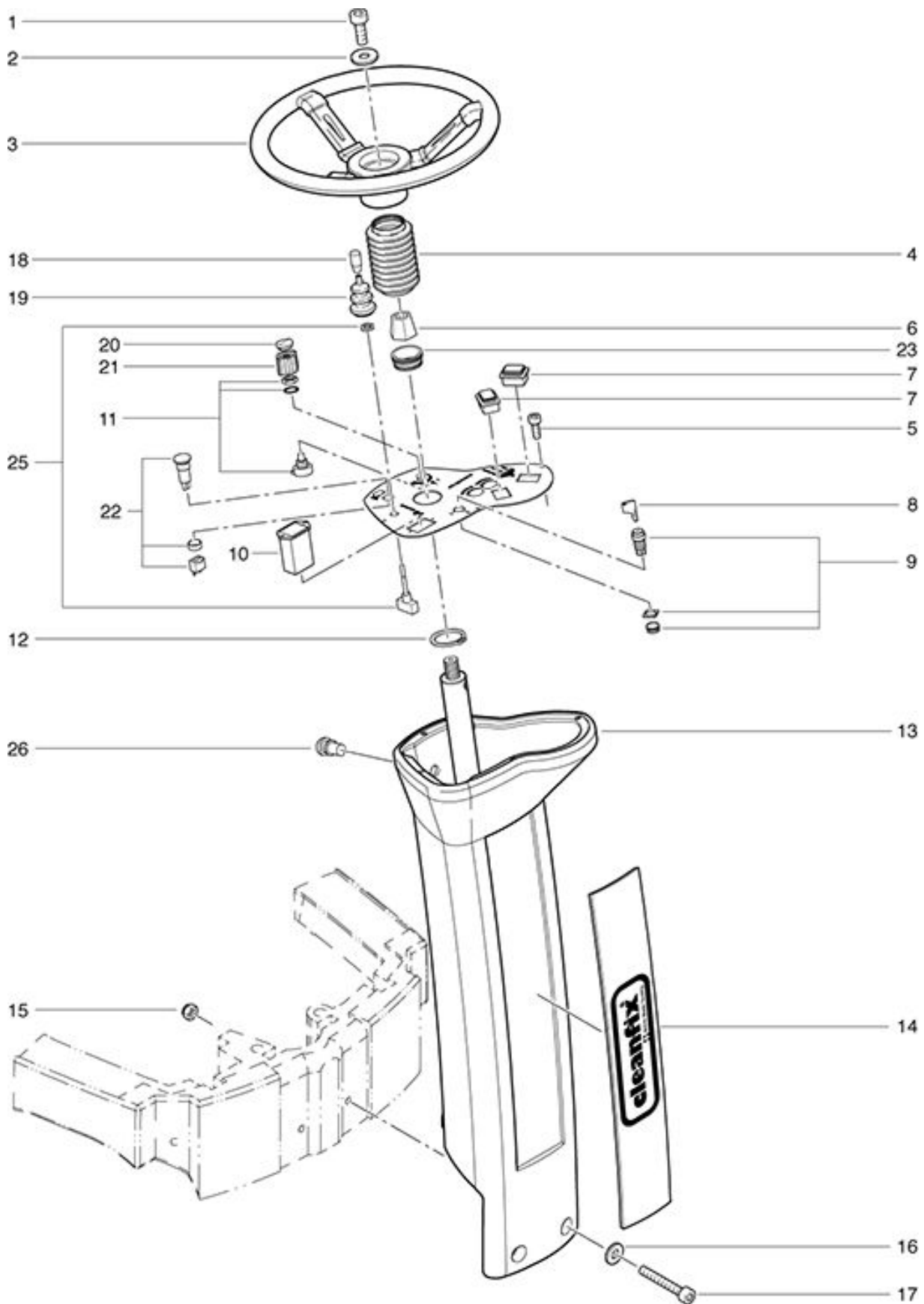


RA 900 Sauber Steering column

As at: 10/17/11 Time:15:17



RA 900 Sauber

Steering column

As at: 10/17/11 Time:15:17

Pos.	Description	Reference
01	Allen screw M 8x20	P...487 B
02	U-shim 6x25	P...510 L
03	Steering wheel	800.328
04	Bellows	800.327
05	Allen screw M 4x12	P...488 A
06	Cone	800.330
07	Compensater switch 24 V DC	P?241
08	Spare key	P...244 B
09	Key holder	560.361
10	Univers. Trucharge Display Module	800.708
11	Potentiometer with nut 10 kOhm	560.371
12	Lock ring Ø 35	P...801 J
13	Steering column	800.500
14	Cover plate	800.501
15	Locknut M 8	P...492 H
16	U-shim M 8	P...495 Z
17	Allen screw M 8x55	P...489 H
18	Cylinder handle bar	800.521
19	Protection bellows	800.520
20	Cover	560.373
21	Turn button	560.372
22	Press button yellow	800.527
23	Bearing sleeve	800.329
24	Control panel	800.512
25	Rocker arm lever with nut	800.515
26	Emergency off-switch round	800.530