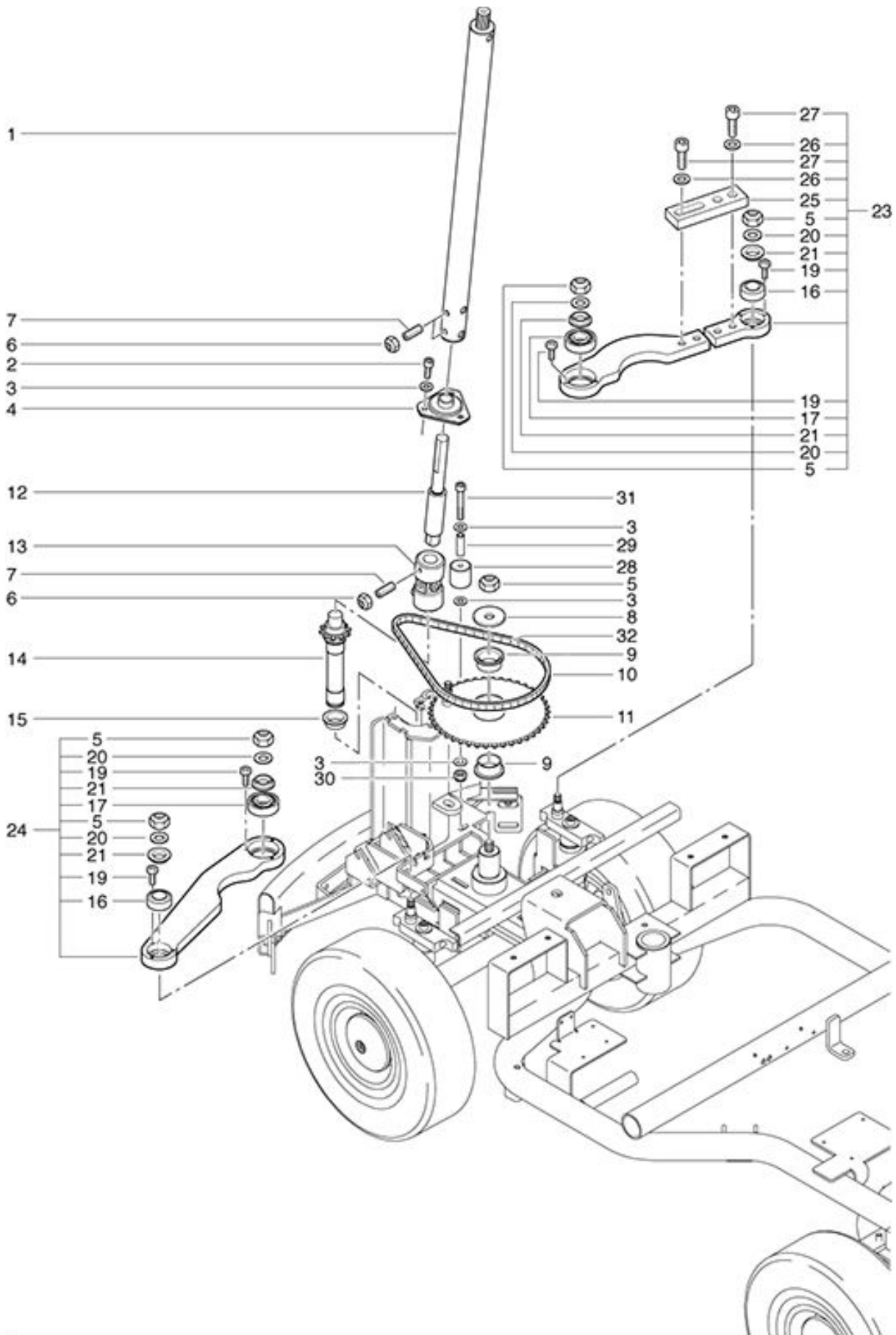


**RA 900 Sauber**  
**Steering element**

As at: 10/18/11 Time:08:59



# RA 900 Sauber

## Steering element

As at: 10/18/11 Time:08:59

<b>Pos.</b>	<b>Description</b>	<b>Reference</b>
01	Steering column	800.307
02	Allen screw M 6	P...486 X
03	U-shim M 6	P...497 H
04	Bearing housing	800.311
05	Locknut M 12	P...492 T
06	Locknut M 8	P...492 H
07	Grub allen screws M 8x20	P...482 U
08	U-shim 13x45	P...500 O
09	Permaglide sleeve Ø 30	P...321 A
10	Steering chain	800.190
11	Sprocket	800.201
12	Steering column spindle	800.309
13	Universal joint	800.315
14	Bearing column for steering column	800.305
15	Permaglide sleeve Ø 25	P...321 C
16	Bearing link	P...325
17	Ball bearing 6001 ZZ	P...316 J
19	Lens head screw	P...476 O
20	U-shim M 12	P...497 S
21	Distance sleeve for steering	800.187
23	Steering rod right compl. including items 5,16,17,19-21,25-27	800.169
24	Steering rod left compl. including items 5,16,17,19-21	800.168
25	Fish-plate	800.170
26	U-shim M 8	P...496 P
27	Allen screw M 8x20	P...487 B
28	Slide block	800.192
29	Can	800.211
30	Locknut M 6	P...493 K
31	Allen screw M 6x45	P...488 U
32	Connecting link with feather/spring	800.191