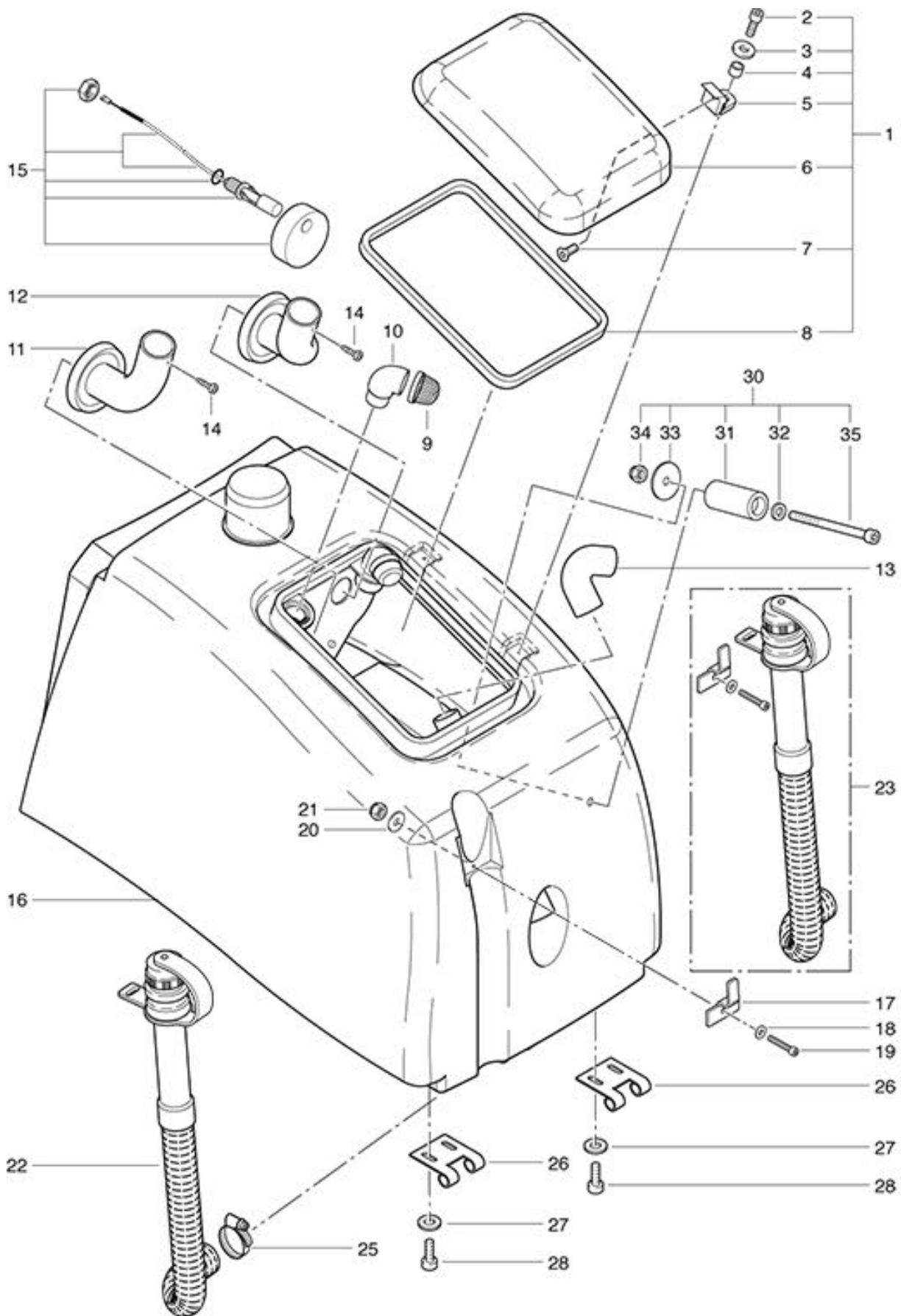


**RA 900 Sauber  
Wastewater tank**

As at: 10/18/11 Time:09:39



# RA 900 Sauber Wastewater tank

As at: 10/18/11 Time:09:39

<b>Pos.</b>	<b>Description</b>	<b>Reference</b>
01	Cover compl.	800.610
02	Allen-screw 5x10	P...489 E
03	U-shim M 6	P...497 K
04	Distance-sleeve	430.618
05	Frame-joint cover	710.122
06	Cover	800.613
07	Countersink M 4x8	P...480 O
08	Cover-seal	710.121
09	Filterscreen	400.766 A
10	Suction bend	430.735
11	Suction beak left	800.627
12	Suction beak right	800.625
13	Angle	560.674
14	Tapping screw 3.5x9.5	P...484 N
15	Float incl. level sensor	800.671
16	Wastewater tank	800.606
17	Holder for hose	P...109 G
18	U-shim M 5	P...497 G
19	Allen-screw M 5x25	P...488 K
20	U-shim M 5	6230217
21	Stop screw nut M 5	P...493 G
22	Discharge hose cpl. 1100 mm	P...561 A
23	Discharge hose Set up to Masch. Nr. 9040.001	800.127
25	Hose clamp	P...206 D
26	Frame joint for wastewatertank	800.615
27	U-shim M 6	P...497 K
28	Allen-screw M 6x12	P...486 R
30	Tab compl. Pos. 31-35	800.617
31	Tab	800.616
32	U-shim M 8	P...497 T
33	U-shim Ø 54x10.5x3 mm	P...204 A
34	Stop screw nut M 8	P...492 N
35	Allen screw M 8x100	P...489 A