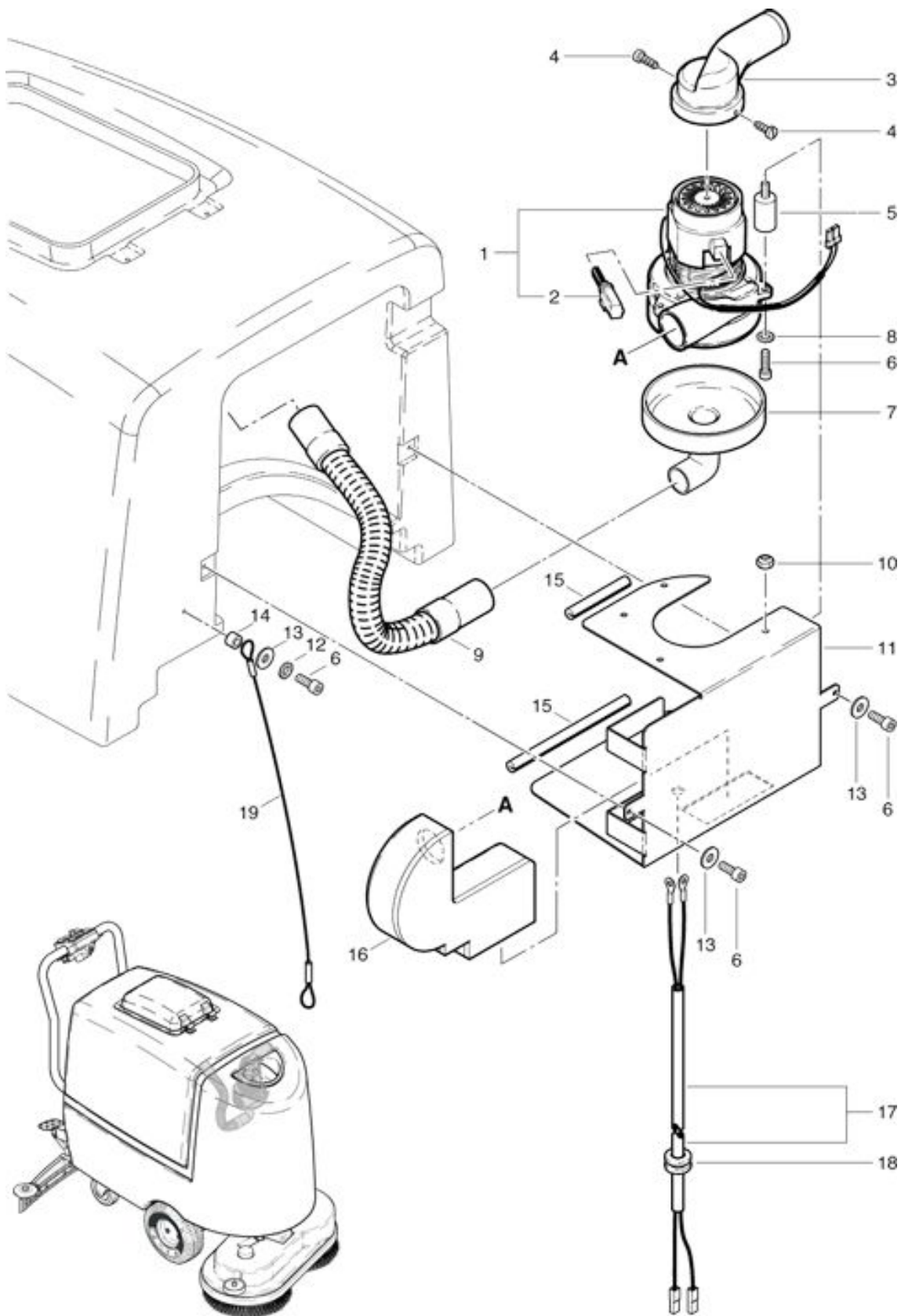


RA 701 B
Vacuum motor assembling

As at: 10/12/11 Time:10:00



RA 701 B

Vacuum motor assembling

As at: 10/12/11 Time:10:00

Pos.	Description	Reference
01	Vacuum motor cpl. 24V	440.206
02	Pair of carbon brushes	500.441 K
03	Tube for motor cooling	420.361
04	Screw 2,9x6,5	P...483 H
05	Round buffer Ø 20x30 mm	400.214
06	Cylindrical screw M 6x16	P...488 Q
07	Hose connection cap	710.155
08	Lock washer M 6	P...498 H
09	Suction hose cpl.	710.153
10	Security nut M 6	P...492 K
11	Motor support	710.151
12	Hexagon screw M 6x20	P...472 T
13	Washer M 6/6.4/18/1.6	P...497 H
14	Distance piece	710.129
15	Rubber for edge protection	P...340 D
16	Noise absorbing canal	710.152
17	Cable tree vacuum motor compl.	710.355.4
18	Cable protection	P...408 L
19	String	710.128