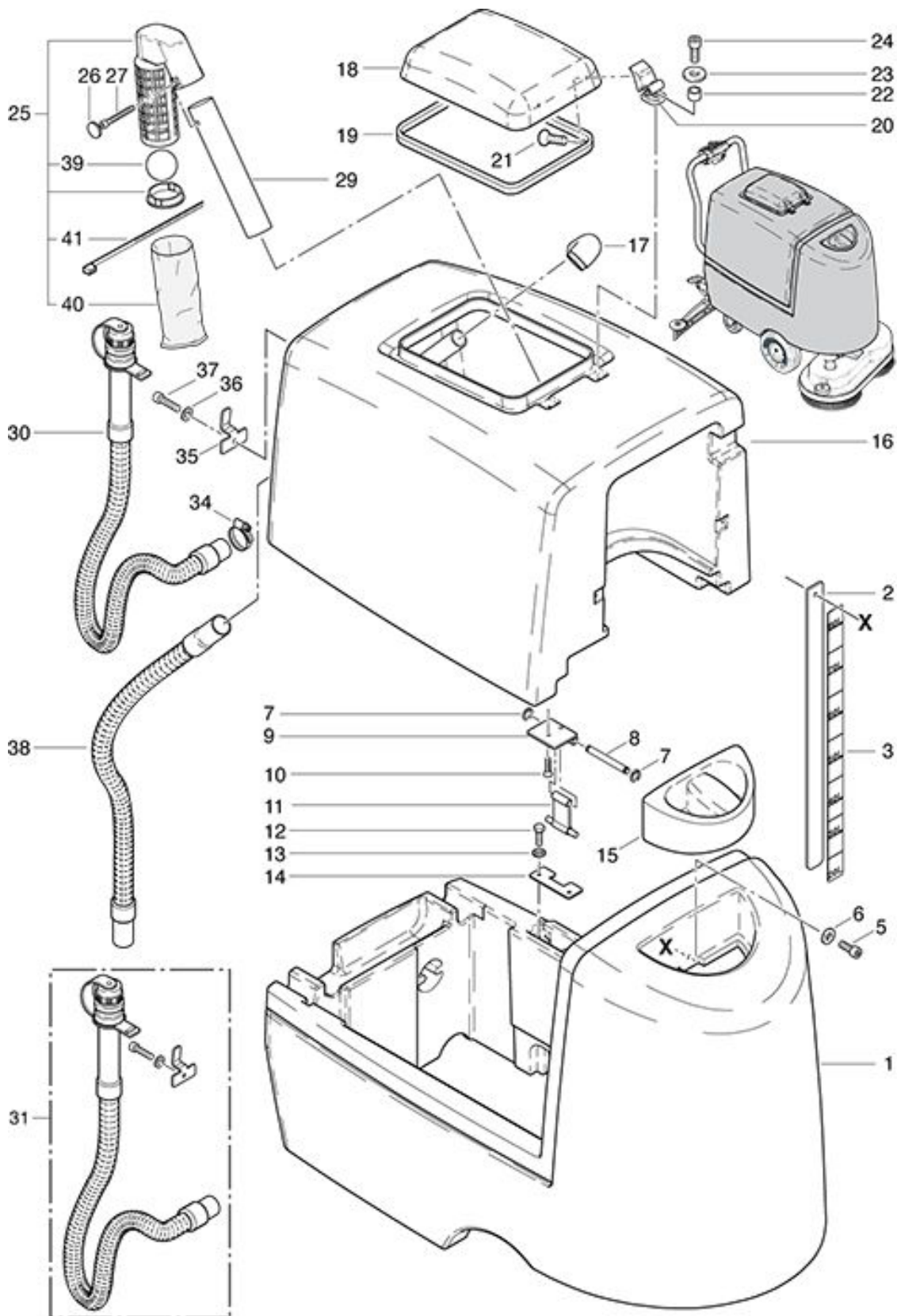


RA 701 B
Clean water tank and Waste water tank

As at: 10/12/11 Time:09:07



RA 701 B

Clean water tank and Waste water tank

As at: 10/12/11 Time:09:07

Pos.	Description	Reference
01	Clean water tank	710.061
02	Flat bar	710.737
03	Scale label	710.736
05	Cylindrical screw M 5x12	P...488 B
06	Washer 6x25/1,5	P...510 L
07	Security washer M 7	P...513 P
08	Bolt	500.811
09	Hinge sheet	710.125
10	Counter sunk screw 6 edge	P...479 N
11	Hinge	710.065
12	Hexagon screw M 6x16	P...472 S
13	Serrated lock washer M 6	P...498 K
14	Hinge sheet	710.071
15	Cover for clean water tank	710.072
16	Waste water tank	710.110
17	Angled piece	560.674
18	Cover	710.120
19	Seal for cover	710.121
20	Hinge	710.122
21	Countersunk screw M 4x8	P...480 O
22	Distance piece	430.618
23	Washer M 6	P...497 K
24	Cylindrical screw M 5x12	P...488 B
25	Float basket kompl.	432.300
26	Straight-knurled knobs for I-6kt. POM black M 6/10/20/7,5	P...494 X
27	Cylindrical screw M 6x50	P...488 M
29	Suction tube to blower	701.124
30	Discharge hose cpl. 900 mm	P...561 B
31	Discharge hose Set up to masch. no. 9101.001	701.129
34	Hose clamp	P...206 D
35	Hose clamp	P...109 G
36	Washer M 5	P...497 G
37	Cylindrical screw M 5x25	P...488 K
38	Suction hose complete	701.580
39	Ball Ø 45 mm	432.304
40	Filter bag	432.315
41	Cable tie 2.4 mm x 203 mm	P...609 B