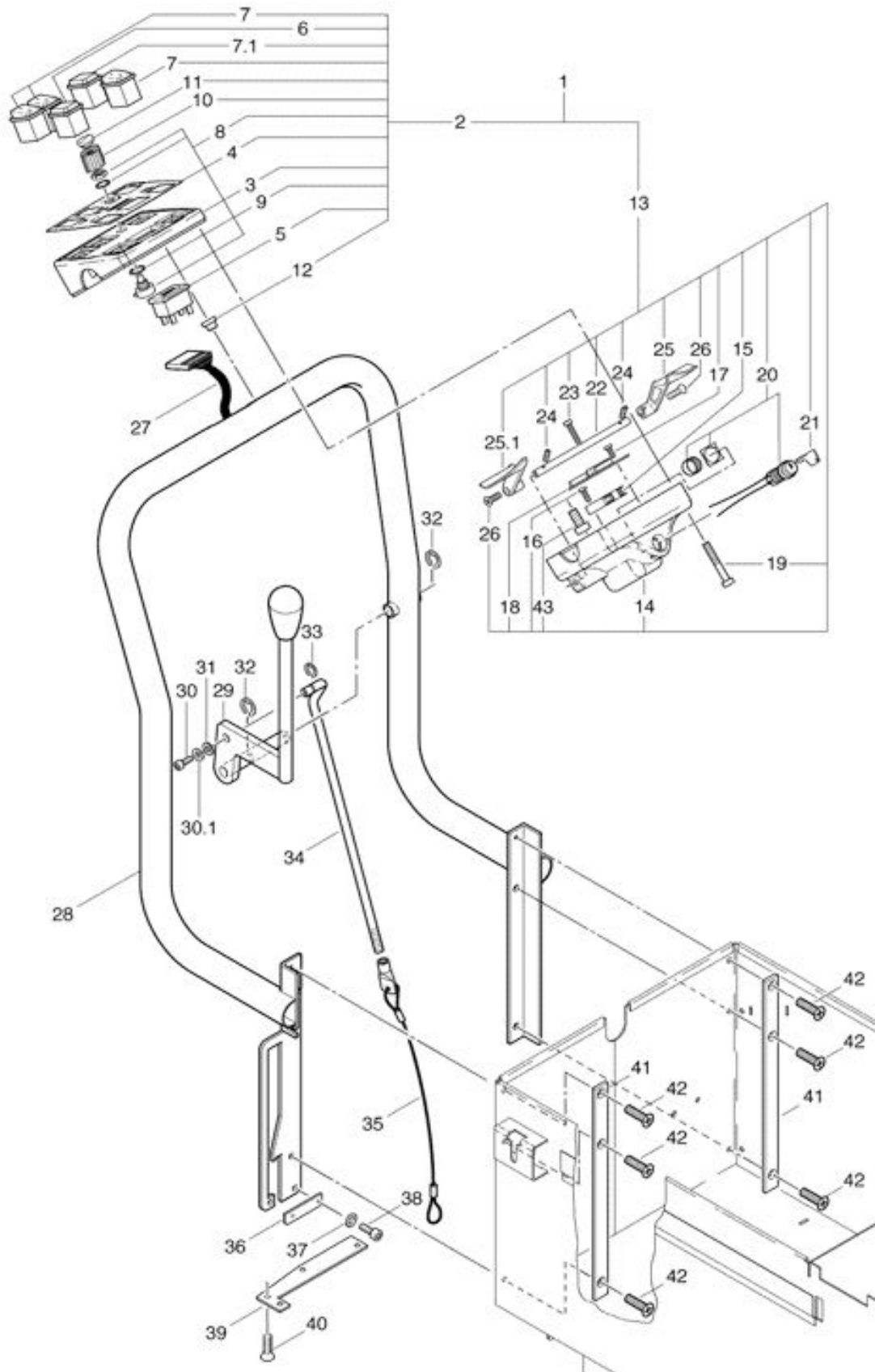


RA 701 B
Controls box and upper pushbar

As at: 10/12/11 Time:09:11



RA 701 B

Controls box and upper pushbar

As at: 10/12/11 Time:09:11

Pos.	Description	Reference
01	Control box complete including items 2+13	701.321
02	Control box (top) complete including items Pos. 3-12	701.326
03	Controls box (top)	701.221
04	Transparency keyboard	701.324
05	Battery status display	701.330
06	Push-button 24 V	P...238
07	Switch white 24 V	P...241
07.1	Switch 24 V	P...239
08	Potential meter 5 kOhm	701.370
09	Serrated lock washer M 10	P...498 O
10	Rotary button with line	560.372
11	Cover	560.373
12	Twist protection	710.314
13	Control box (lower part) cpl. incl. Items 14-26+43	701.328
14	Control box (lower part)	701.222
15	Safety switch	710.323
16	PT screw K 40x20	P...475 E
17	PT screw KA 30x10	P...516 A
18	Operating print	701.332
19	PT-screw KA 30x25	P...515 P
20	Key switch compl.	710.360
21	Replacement key	P...244 B
22	Axle start lever	710.225
23	Cylindrical screw M 4x25	P...477 H
24	Shank end screw M 4x8	P...484 DA
25	Start lever left	701.224
25.1	Start lever on the right	701.223
26	Countersunk screw M 8x4	P...479 A
27	Flat cable	701.346
28	Upper pushbar	710.312
29	Lever for raise the suction nozzle holder	710.532
30	Hex. socket screw M 4x8	P...488 D
30.1	Lock washer M 4	P...500 E
31	Washer M 4	P...497 C
32	Security washer 9 mm	P...500 L
33	Security washer 6 mm	P...500 K
34	Lever	710.531
35	String	430.817
36	Prop	701.316
37	Washer M 5	P...498 D
38	Hex. socket screw M 5x12	P...488 B
39	Connecting metal	701.073
40	Countersunk screw M 6x14	P...479 N
41	Reinforcement plate	710.313

42 Countersunk screw M 6x12
43 PT-screw KA 40x8

P...487 U
701.316