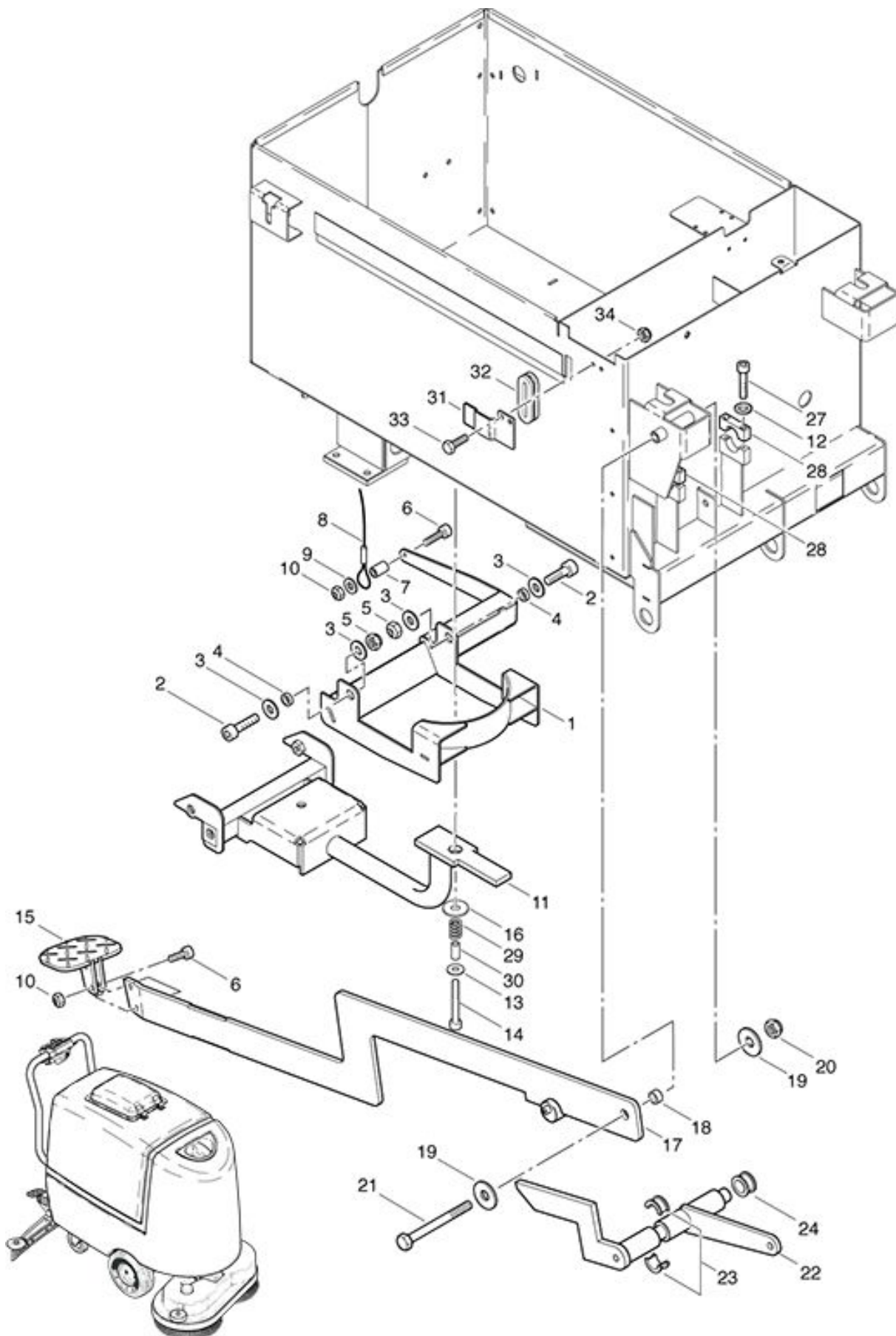


RA 701 B
Lifting lever

As at: 10/12/11 Time:09:47



RA 701 B

Lifting lever

As at: 10/12/11 Time:09:47

Pos.	Description	Reference
01	Swivel support	710.520.1
02	Hexagon screw M 8x25	P...487 D
03	Washer M 8	P...496 Q
04	Bearing box	710.528
05	Stopmutter M 8	P...492 H
06	Hexagon screw M 6x20	P...489 K
07	Distance tube	710.129
08	String	430.817
09	Washer M 6	P...497 K
10	Security nut M 6	P...492 K
11	Squeegee support	710.541
12	Lock washer M 5	P...498 D
13	Washer M 6	P...497 H
14	Cylindrical screw M 6x40	P...487 D
15	Running board	701.268
16	Washer M 10	P...496 S
17	Lift lever	710.265.1
18	Distance ring	710.270
19	Washer M 8	P...496 J
20	Hexagon nut M 8	P...492 N
21	Hexagon screw M 8x80	P...473 I
22	Lever	710.250
23	Distance piece	710.255
24	Distance piece	710.254
26		710.256
27	Hexagon screw M 5x25	P...488 K
28	Bowl upper section	710.256
29	Compression spring Ø 12.5	432.083
30	Distance washer	701.541
31	Cable protection	701.211
32	Cable sleeve	P...114
33	Hexagon screw A2 M 5x10	P...472 E
34	Locknut M 6	P...492 G