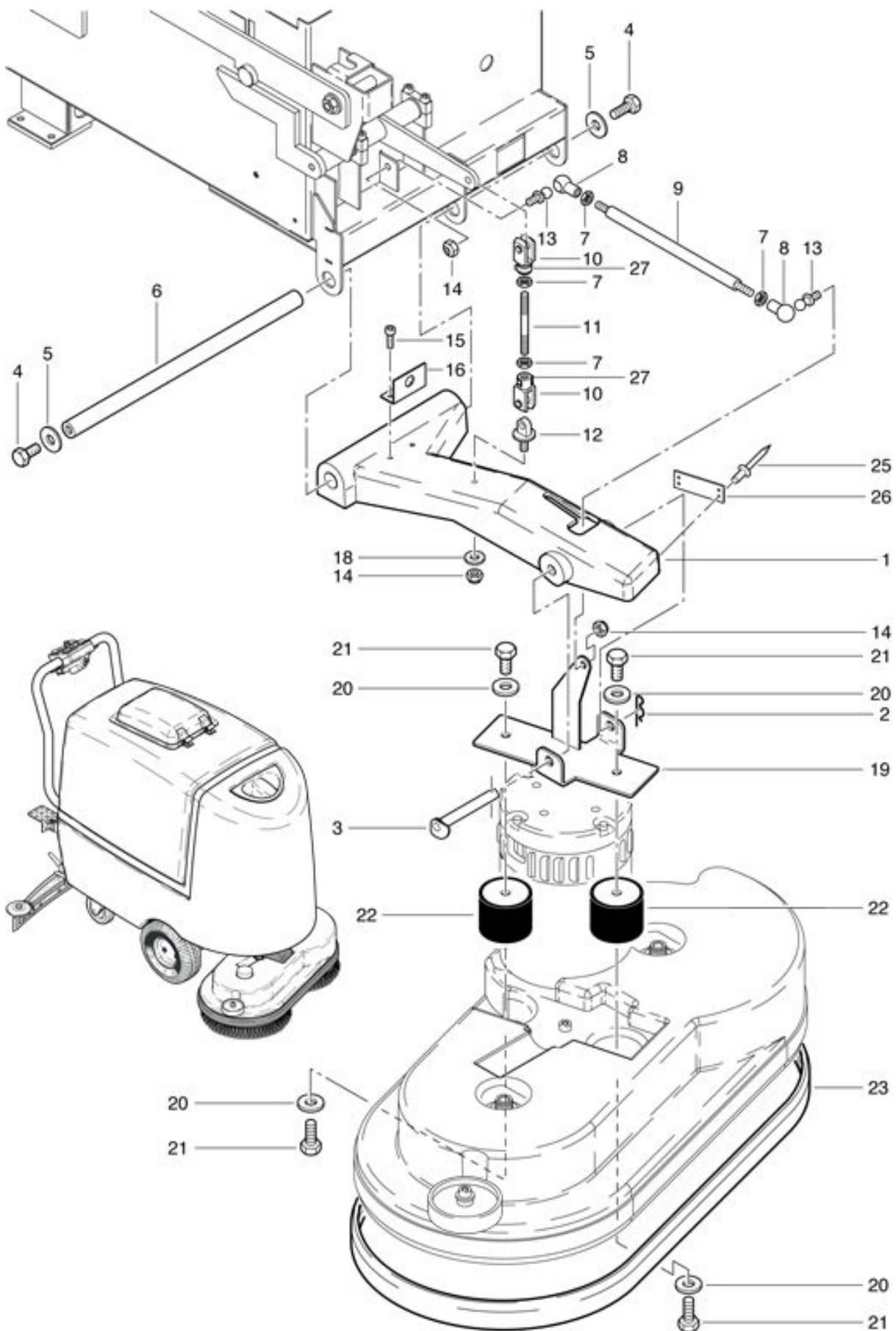


RA 701 B
Extension brush head

As at: 10/12/11 Time:09:40



RA 701 B

Extension brush head

As at: 10/12/11 Time:09:40

Pos.	Description	Reference
01	Removal brush head	710.276 A
02	Fuse	P...511 D
03	Pin	710.443
04	Hexagon screw M 10x16	P...472 W
05	Security nut M 10 DIN 921	P...496 S
06	axle	710.277
07	Hexagon nut M 8	P...491 M
08	Ball socket	P...512 C
09	Track bar	710.456
10	Shafts head	P...511 C
11	Distance bar	710.271
12	Bolt	710.279
13	Ball stud m. thread 13/sw.11	P...5012 D
14	Security nut M 8	P...492 N
15	Cylindrical M 5x12	P...488 B
16	Female quick connector angle	710.278
18	Washer M 8	P...496 Q
19	Support	710.445
20	Washer M 10	P...510 M
21	Hexagon screw M 10x16	P...472 W
22	Cuff cylinder	710.448
23	Shock protection	710.419
25	Blind rivets Ø 4.8x14.3	P...485 W
26	Reinforcing plate	710.274
27	It pin for yokes 8x16	P...511 B