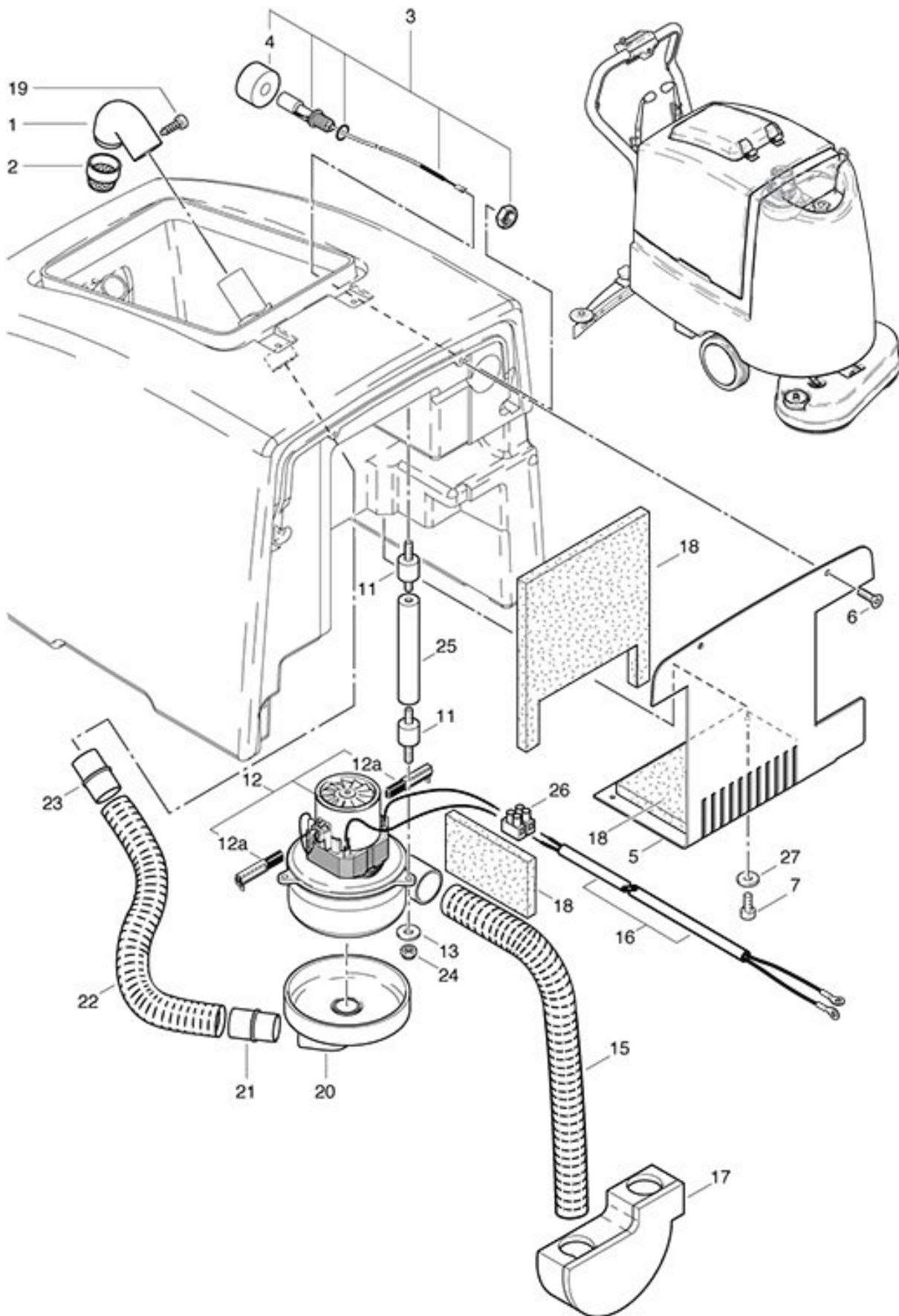


RA 561 B  
Vacuum motor assembling

As at: 10/05/11 Time:14:11



## RA 561 B

### Vacuum motor assembling

As at: 10/05/11 Time:14:11

<b>Pos.</b>	<b>Description</b>	<b>Reference</b>
01	Angled tube joint	560.674
02	Filter	400.766 A
03	Level sensor compl.	560.669
04	Float	560.670
05	Cover to blower	560.677
06	Sinking screw M 5x12	P...480 D
07	Hexagon screw M 5x8	P...488 E
11	Rubber buffer 20x20	560.662
12	Vacuum motor compl. 24 V	440.206
12a	Pair of carbon brushes	440.206 KB
13	Washer M6	P...496 L
15	Drain hose	560.681
16	Wiring harness compl.	560.770
17	Muffler	560.686
18	Noise absorbing canal 3 Stk.	560.678
19	Screw	P...482 M
20	Top cap	560.490
21	Sucking in adapter blower	560.684
22	Suction hose	560.682
23	Sucking in adapter tank	560.683
24	Lock nut	P...493 K
25	Spacer pin 93 mm	560.685
26	Strip 2 pole	P...383 G
27	Washer M 5	P...497 R