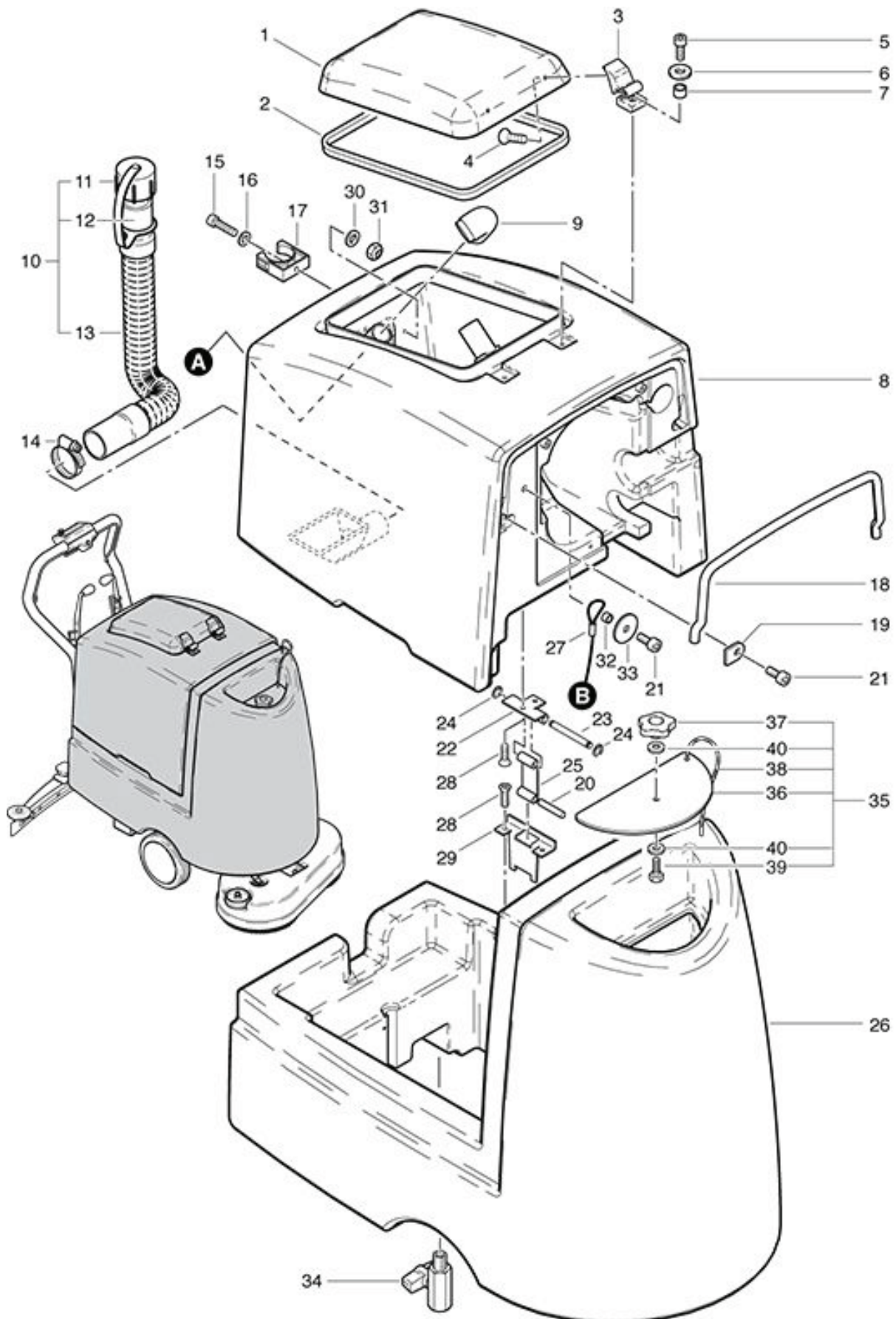


**RA 561 B**  
**Clean water tank and Waste water tank**

As at: 10/05/11 Time:13:50



## RA 561 B

### Clean water tank and Waste water tank

As at: 10/05/11 Time:13:50

<b>Pos.</b>	<b>Description</b>	<b>Reference</b>
01	Cover	710.120
02	Seal for cover	710.121
03	Hinge	710.122
04	Countersunk screw M 4x8	P...480 O
05	Cylindrical screw M 5x12	P...488 B
06	Washer M 6	P...497 K
07	Distance piece	430.618
08	Waste water tank	560.655
09	Angled piece	560.674
10	Discharge hose complete, including Items 11-13	701.125
11	Cover for hose socket	500.410
12	Hose socket	500.409 A
13	Discharge hose	701.126
14	Hose clamp	P...206 D
15	Cylindrical screw M 5x25	P...488 K
16	Washer M 5	P...497 G
17	Hose clamp	P...109 A
18	Discharge hose	560.673
19	Clamp plate	560.677
20	Bolt Ø 8x55 mm	P...513 V
21	Hexagon screw M 6x12	P...488 R
22	Hinge sheet	560.661
23	Bolt	500.811
24	Security washer M 7	P...513 P
25	Hinge	560.618
26	Clean water tank compl.	560.605
27	Cord	560.726
28	Countersunk screw M 6x12	P...487 U
29	Hinge sheet in front	560.612
29	Hinge sheet in behind	560.614
30	Washer M 5	6230217
31	Stopp-nut M 5	P...493 G
32	Bearing sleeve	560.143
33	Washer M 6x25	P...497 Y
34	Valve complete 1/4"	P...508 B
35	Freshwater tankcover cpl. contenant pos. 30-34	560.615
36	Freshwater tank cover	560.613
37	Asterisk grasp	430.346
38	Cord	490.750
39	Hexagon screw M 8x16	P...472 V
40	Washer M 8	P...510 B