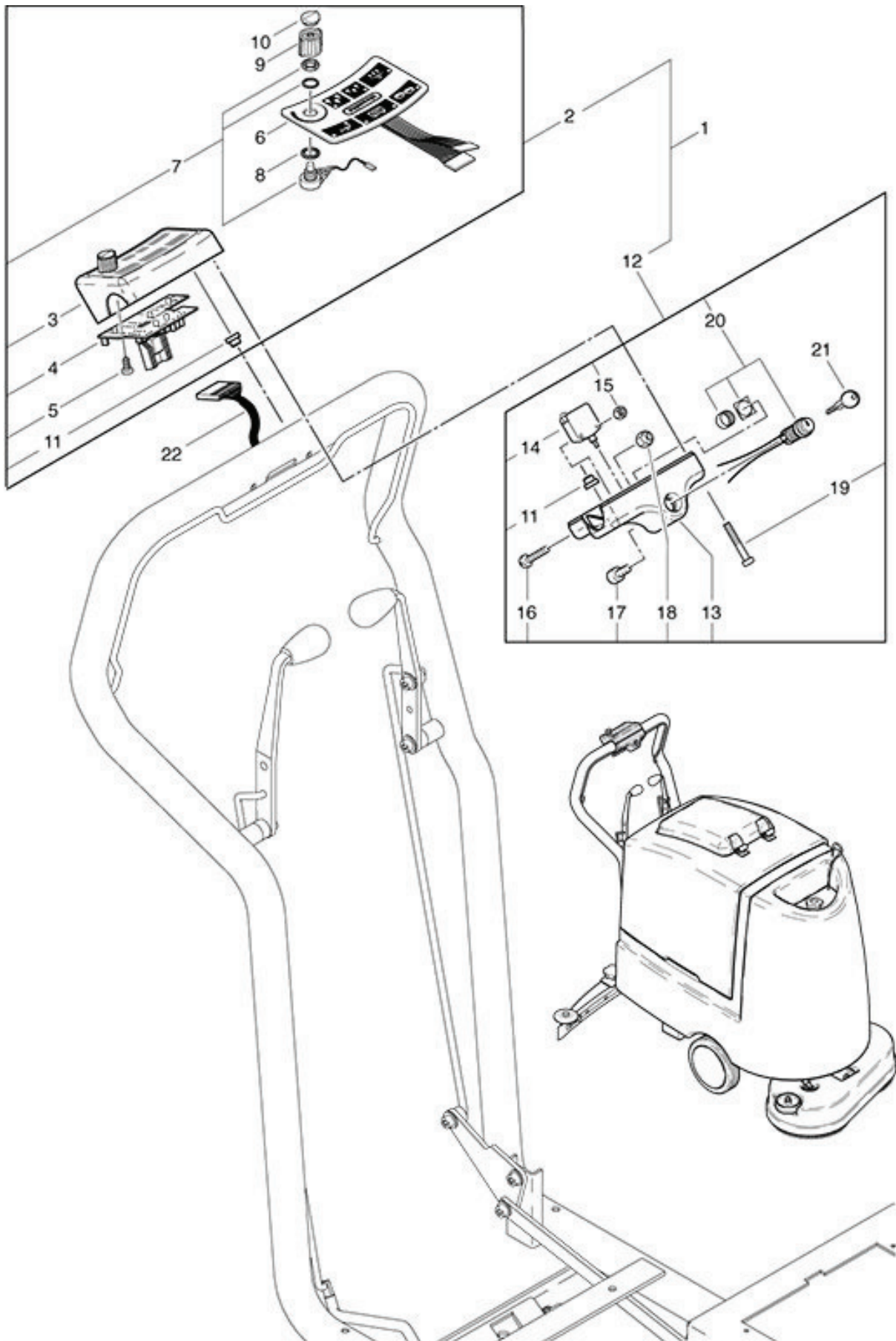


RA 561 B
Controls box

As at: 10/05/11 Time:14:00



RA 561 B

Controls box

As at: 10/05/11 Time:14:00

Pos.	Description	Reference
01	Control box complete including items 2+12	560.321
02	Control box (top) complete including items Pos. 3-11	560.326
03	Controls box (top)	530.226
04	Operating print	560.366
05	Screw 2,9x9,5	P...483 H
06	Plastic foil keyboard	560.367
07	Potential meter 10 kOhm	560.370
08	Serrated lock washer M 10	P...498 O
09	Turn button	560.372
10	Cover	560.373
11	Twist protection	710.314
12	Control box (lower part) cpl. incl. Items 11+13-20	560.328
13	Control box (lower part)	530.221
14	Safety switch	710.323
15	Nut M 4	P...492 D
16	Pan head screw M 4x20	P...475 F
17	Hexagon socket screw M 5x8	P...488 E
18	Stopp-nut M 5	P...493 G
19	PT-screw KA 30x25	P...516 P
20	Key switch compl.	560.361
21	Replacement key	P...244 B
22	Harness for electronics	560.761