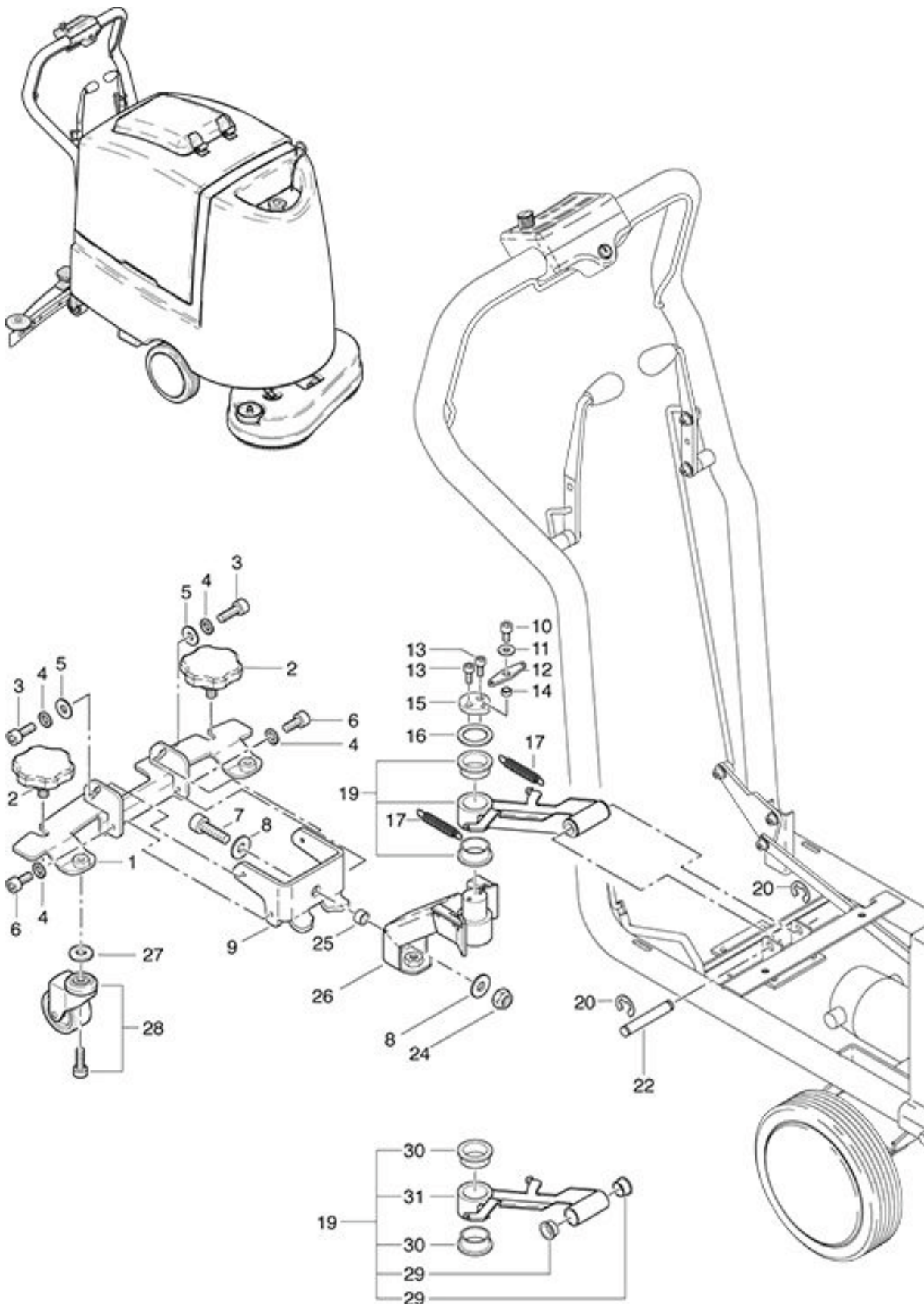


RA 561 B

Suspension suction nozzle, beg. mach. no. 8650.001

As at: 10/06/11 Time:13:42



## RA 561 B

### Suspension suction nozzle, beg. mach. no. 8650.001

As at: 10/06/11 Time:13:42

<b>Pos.</b>	<b>Description</b>	<b>Reference</b>
01	Support to nozzle suspension	560.527
02	Star handle	P...253 F
03	Hexagon socket screw M 6x16	P...486 R
04	Serrated lock washer M 6	P...498 K
05	Washer M 6	P...496 L
06	Hexagon socket screw M 6x12	P...486 Q
07	Hexagon socket screw M 8x25	P...487 D
08	Washer M 8	P...497 P
09	Plate	560.528
10	Hexagon socket screw M 5x8	P...488 E
11	Washer M 5	P...496 G
12	Latch spring plate	560.526
13	Hexagon socket screw M 4x10	P...489 D
14	Distance ring	560.525
15	Latch cover	560.524
16	Washer 25/30/1	P...099
17	Tension spring	560.568
19	Lever compl. including items 29,30+31	561.521
20	Retaining washer	P...499 N
22	Axle	560.532
24	Stop nut M 8	P...492 H
25	Distance ring	560.531
26	Pipe	561.523
27	Washer M 10	P...496 S
28	Castor compl.	P...209 C
29	Permaglide sleeve 10/12/9	500.123
30	Permaglide sleeve 25/28/11,5	P...321 C
31	Lever	560.522