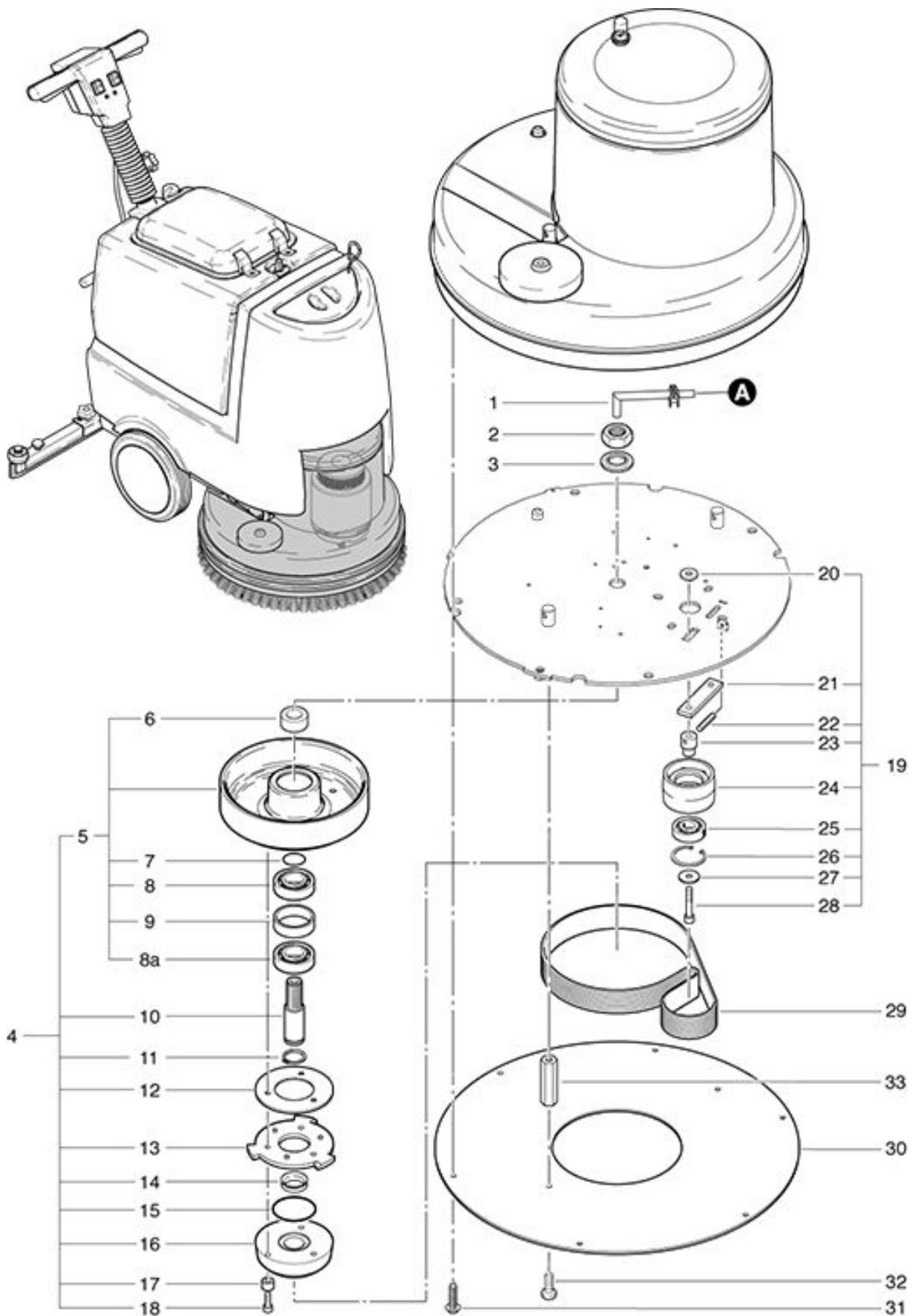


RA 501 B
Drive and waterdistribution

As at: 09/28/11 Time:15:37



RA 501 B

Drive and waterdistribution

As at: 09/28/11 Time:15:37

| Pos. | Description | Reference |
|-------------|--|------------------|
| 01 | Distribution tube | 432.166 |
| 02 | Hexagon nut M 20x1.5 | P...492 R |
| 03 | Washer M 20/20.5x40 | P...498 Q |
| 04 | Belt wheel pre-mounts including items 5-18 | 742.126 |
| 05 | Drive pulley complete, including items 6-9 | 742.130 |
| 06 | Can | 432.507 |
| 07 | O-ring 25x2.62 | P...964 A |
| 08 | Ball bearing | P...316 Q |
| 08a | Ball bearing | P...316 P |
| 09 | Intermediate ring | 3611851 |
| 10 | Main axle | 741.125 |
| 11 | Security ring Ø 25 | P...513 D |
| 12 | Distance ring 46x99x1 | 430.136 |
| 13 | Star wheel | 742.141 |
| 14 | V-profile ring | P...343 A |
| 15 | O-ring 52x2.62 | P...964 B |
| 16 | Brush support | 430.157 |
| 17 | Distance ring 6/8x4 mm | 742.129 |
| 18 | Cylindrical screw M 6x20 | P...487 S |
| 19 | Idler compl. | 742.116 |
| 20 | Groove nut | 720.125 |
| 21 | Support | 720.128 |
| 22 | Thread pin I-6kt. M 6x25 | P...513 K |
| 23 | Federation tap | 720.127 |
| 24 | Idler | 742.117 |
| 25 | Ball bearing | P...316 O |
| 26 | Security ring | P...513 G |
| 27 | Washer M 8 | P...496 Q |
| 28 | Cylindrical screw M 8x25 | P...487 T |
| 29 | Rib tape | 720.115 |
| 30 | Cover plate | 501.517 |
| 31 | Tapping screw K 50x25 | P...515 LA |
| 32 | Fillister-head screw M 5x16 | P...476 E |
| 33 | Distance stops | 501.521 |