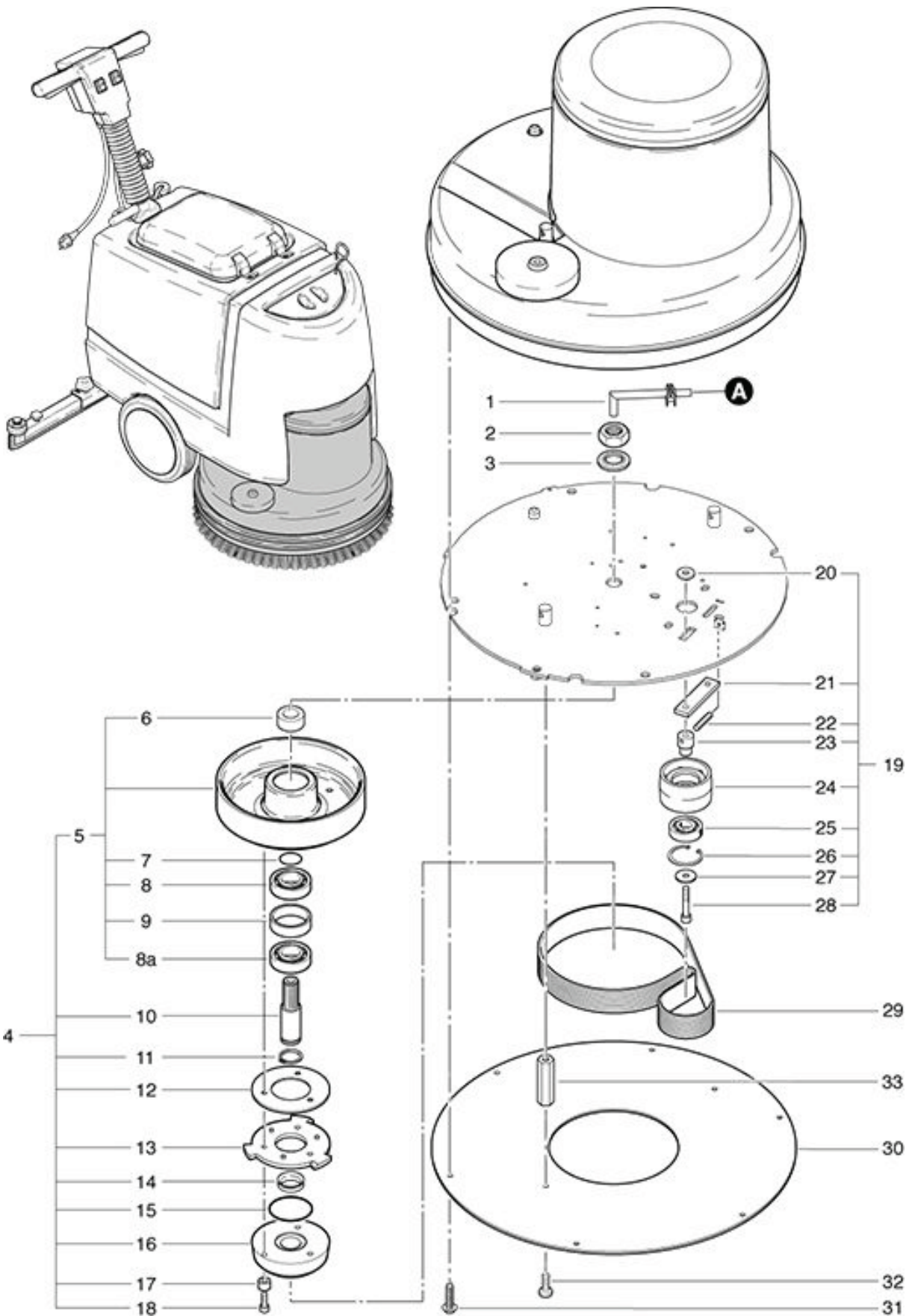


RA 501 E
Drive and waterdistribution

As at: 09/20/11 Time:15:24



RA 501 E

Drive and waterdistribution

As at: 09/20/11 Time:15:24

Pos.	Description	Reference
01	Distribution tube	432.166
02	Hexagon nut M 20x1.5	P...492 R
03	Washer M 20	P...498 Q
04	Belt wheel per-mounts including items 5-18	742.126
05	Drive pulley complete, including items 6-9	742.130
06	Can	432.507
07	O-ring 25x2.62	P...964 A
08	Ball bearing	P...316 Q
08a	Ball bearing	P...316 P
09	Intermediate ring	3611851
10	Main shaft	742.125
11	Security ring Ø 25	P...513 D
12	Distance ring 46x99/1	430.136
13	Star wheel	742.141
14	V-profile ring	P...343 A
15	O-ring 52x2.62	P...964 B
16	Brush support	430.157
17	Distance ring 6/8x4 mm	742.129
18	Cylindrical screw M 6x20	P...487 S
19	Idler compl.	742.116
20	Groove nut	720.125
21	Support	720.128
22	Thread pin I-6Kt. M 6x25	P...513 K
23	Federation tap	720.127
24	Idler	742.117
25	Ball bearing	P...316 O
26	Security ring	P...513 G
27	Washer M 8	P...496 Q
28	Cylindrical ring M 8x45	P...487 T
29	Rib tape	720.115
30	Cover plate	501.517
31	PT screw KA 50x25	P...515 L
32	Fillister-head screw M 5x16	P...476 E
33	Distance stops	501.521