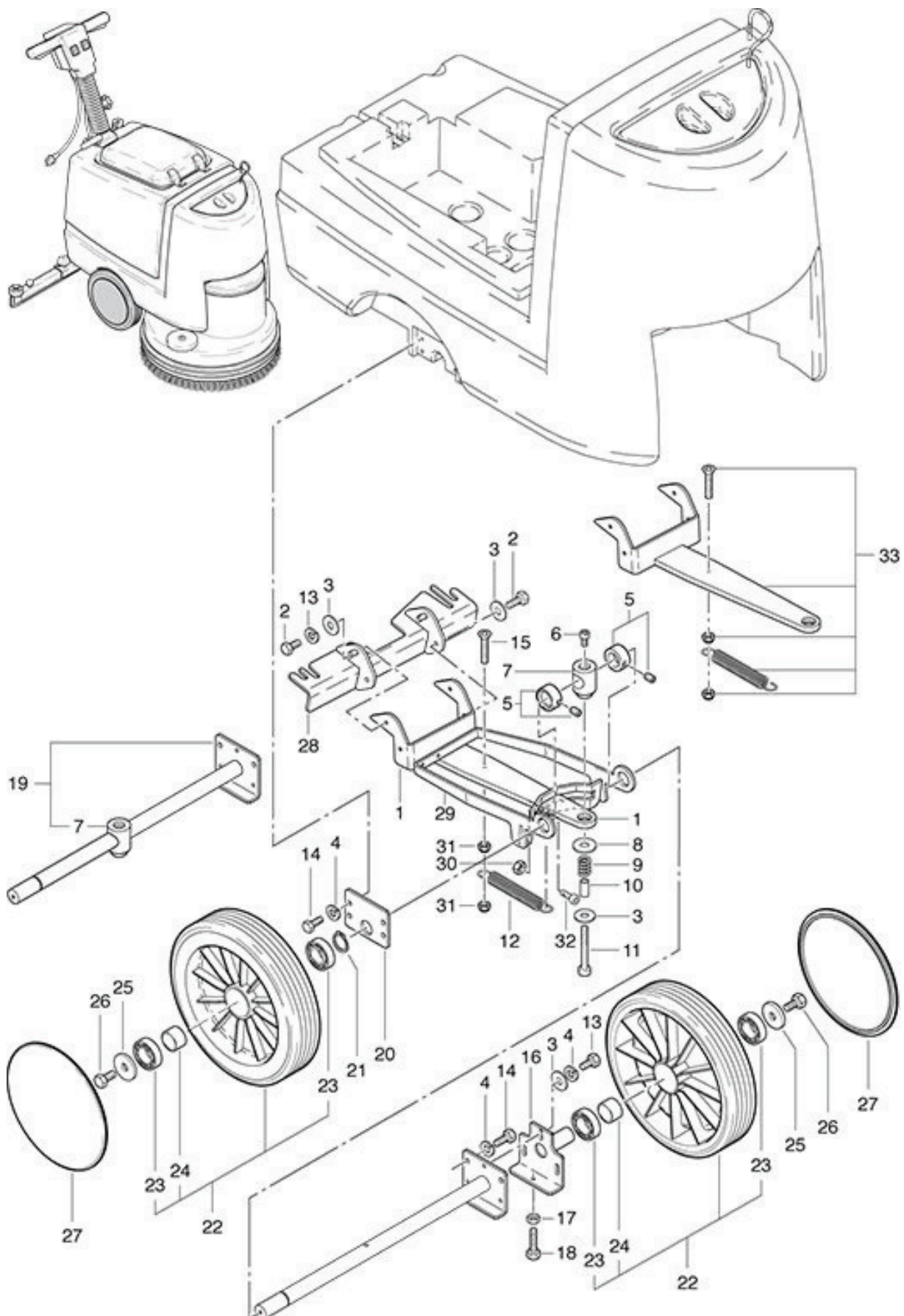


RA 501 E
Chassis and Wheel

As at: 09/20/11 Time:15:22



RA 501 E

Chassis and Wheel

As at: 09/20/11 Time:15:22

Pos.	Description	Reference
01	Lever compl.	432.982
02	Hexagon screw M 6x12	P...470 R
03	Washer M 6	P...496 L
04	Spring ring M 6	P...498 U
05	Tension ring with thred pin Ø 10/20/10	P...335
06	Screw M 6x10	P...486 YC
07	Ball stud	432.063
08	Washer M 10.5x30x2.5	P...496 S
09	Compression spring Ø 12.5x22	432.083
10	Distance washer	432.081
11	Cylindrical screw M 6x40	P...486 Y
12	Spring	432.084 A
13	Hexagon screw M 6x10	P...471 Z
14	Hexagon screw M 6x16	P...470 T
15	Countersunk screw M 6x25	P...480 H
16	Clamping plat adjustably	432.061
17	Hexagon nut M 6	P...490 D
18	Hexagon screw M 6x20	P...470 X
19	Axle compl. incl. Pos. 7	432.060
20	Clamping plate	432.062
21	Security ring A 20	P...513 EA
22	Wheel Ø 200x53 mm including Items 23+24	530.240
23	Ball bearing	P...316 R
24	Distance piece	530.246
25	Washer M 6x25	P...497 Y
26	Hexagon screw M 6x12	P...470 R
27	Wheel cover	530.242
28	Nozzle support angle	432.380
29	Nozzle holder	432.080
30	Hexagon nut M 8	P...492 N
31	Locknut M 6	P...492 K
32	Hexagon screw M 8x16	P...489 I
33	Lever compl. up to Masch. No. 8820.001	432.075