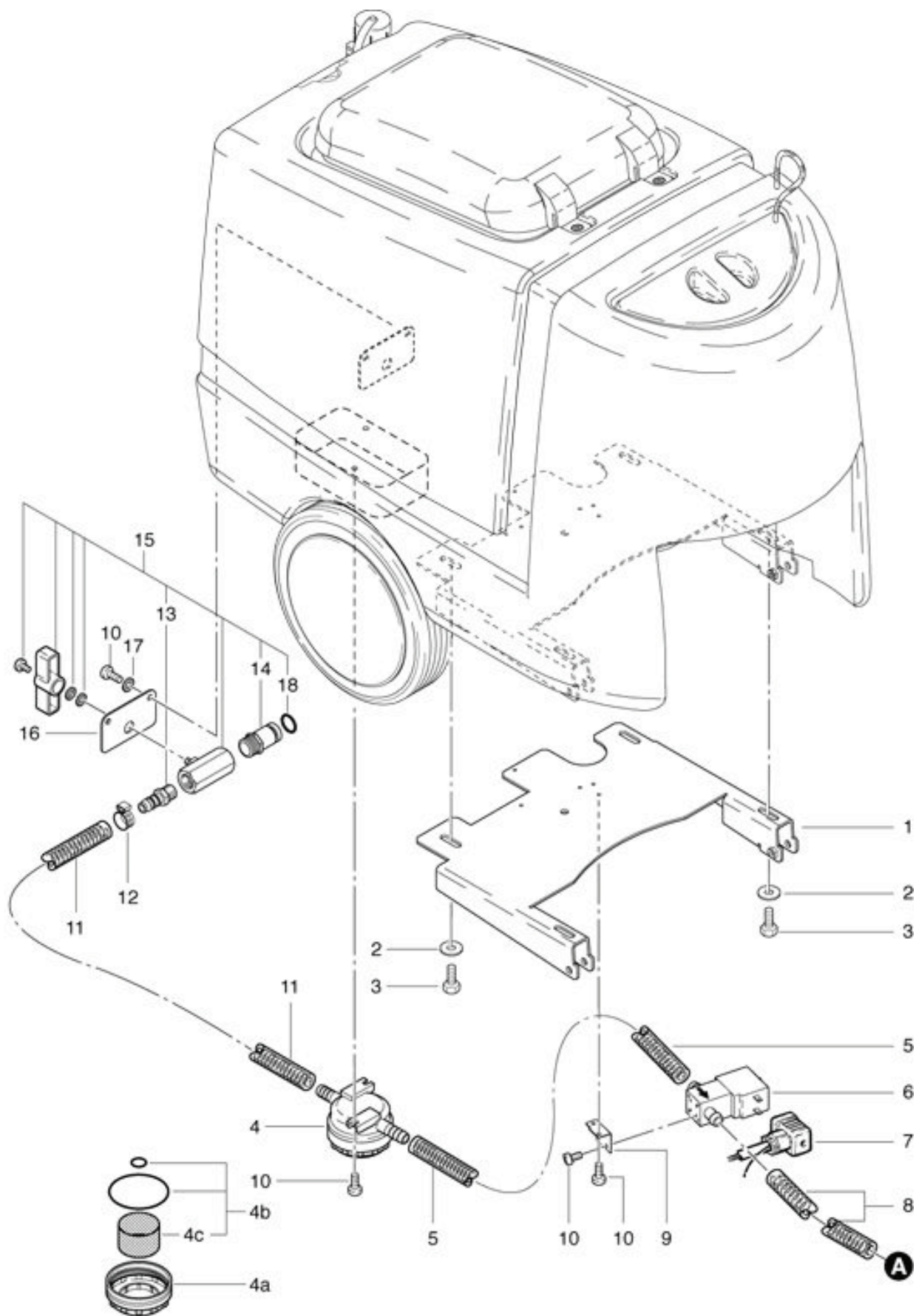


RA 501 E  
Magnetic valve and Filter assembling

As at: 09/20/11 Time:15:44



## RA 501 E

### Magnetic valve and Filter assembling

As at: 09/20/11 Time:15:44

<b>Pos.</b>	<b>Description</b>	<b>Reference</b>
01	Girder sheet metal	432.052
02	Washer M 6	P...496 L
03	Cylindrical screw M 6x12	P...486 Q
04	Filter	430.759
04a	Filter cover	430.258
04b	Filter kit	430.759 A
04c	Filter	430.759 B
05	Hose 390 mm	432.151
06	Magnetic valve 230 V	P...257
07	Cable for magnetic valve	432.710
08	Hose 225 mm	432.152
09	Valve support plate	501.233
10	Filister-head screw M 5x10	P...481 Z
11	Hose 225 mm	432.152
12	Hose clip Ø 19.8 mm	P...550 N
13	Straight nipple	P...519 B
14	Straight	432.087
15	Valve compl.	432.085
16	Disk to ball valve	432.088
17	Spring ring M 5	P...498 D
18	O-ring 15.88x2.62 mm	P...960 O