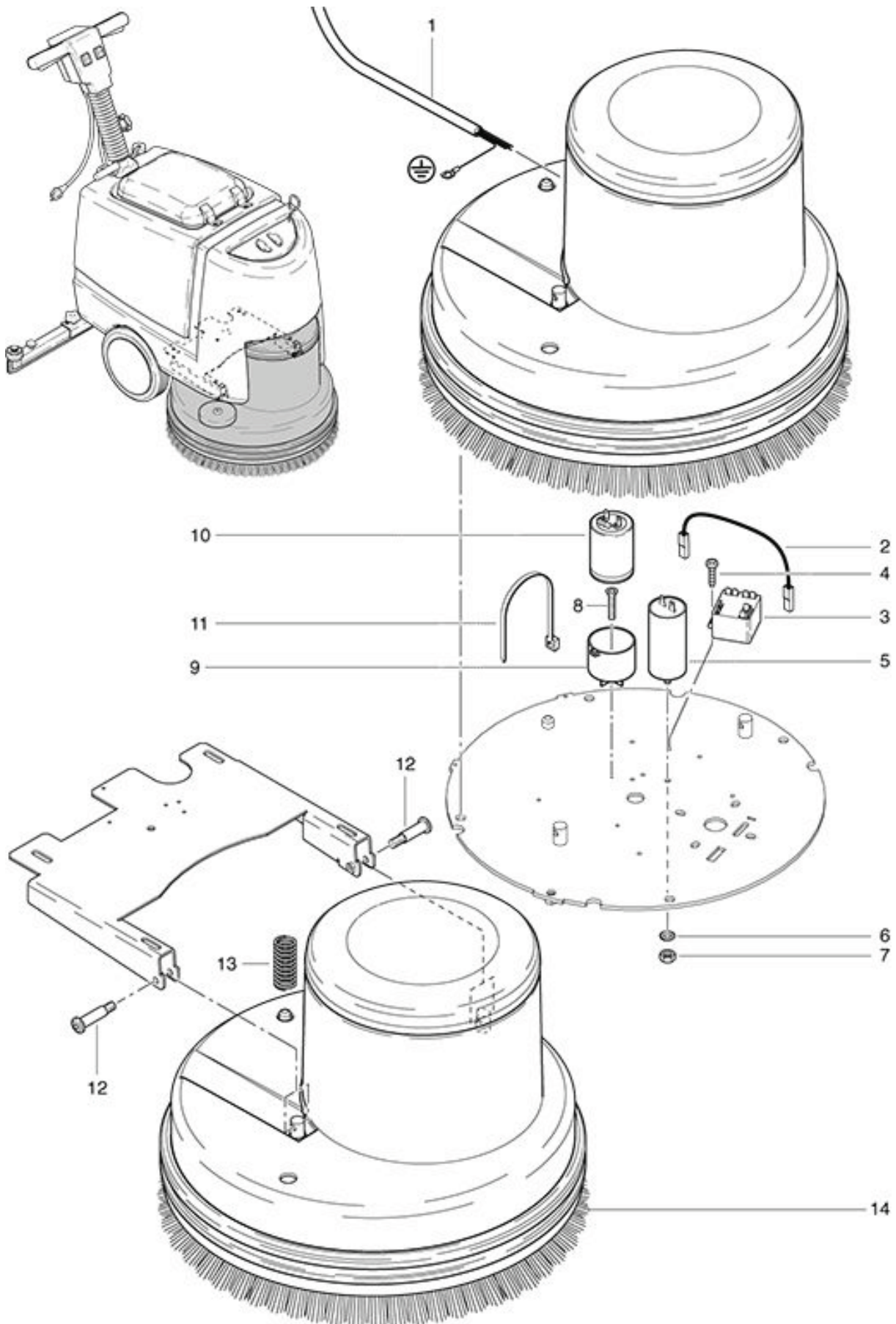


RA 501 E
Capacitor

As at: 09/20/11 Time:15:18



RA 501 E

Capacitor

As at: 09/20/11 Time:15:18

| Pos. | Description | Reference |
|-------------|--------------------------------|------------------|
| 01 | Motor cable | 430.317 |
| 02 | Cable | 790.556 |
| 03 | Relais | P...350 |
| 04 | PT screw KA 30x10 | P...516 A |
| 05 | Capacitor 25 uF, 450VAC | 720.122 A |
| 06 | Serated lock washer M 8 | P...498 G |
| 07 | Nut M 8 | P...491 F |
| 08 | Countersunk screw M 4x25 | P...480 V |
| 09 | Capacitor holder | 741.316 |
| 10 | Capacitor 125 uF, 320V | 742.328 |
| 11 | Cable tie 4.8x300 mm | P..424 |
| 12 | Pass shoulder screw 8x25/M 6x6 | 432.521 |
| 13 | Compression spring 68x18x2 | 432.520 |
| 14 | Scrubbing brush PPN 0,6 | 730.059 |