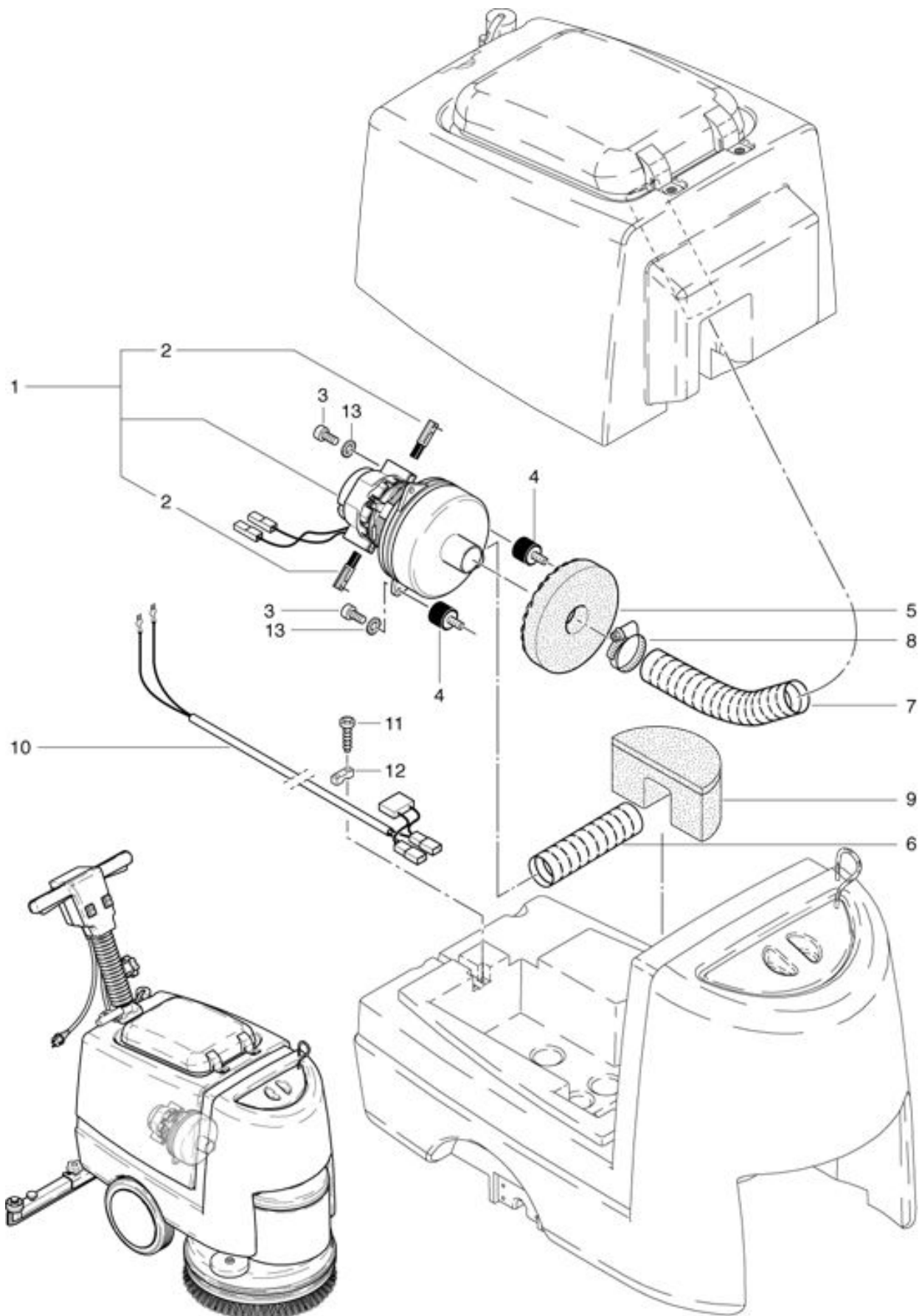


RA 431 E
Vacuum motor assembling

As at: 10/03/11 Time:16:14



RA 431 E

Vacuum motor assembling

As at: 10/03/11 Time:16:14

Pos.	Description	Reference
01	Vacuum motor	P...880
02	Pair of carbon brushes	P...870 KB
03	Cylindrical screw M 6x12	P...486 Q
04	Round buffer M 6	500.499
05	Noise absorber	432.349
06	Exhaust air hose suction blower compl.	432.351
07	Suction hose size 38x200	432.352
08	Hose clamp	P...206 D
09	Muffler blower compl.	432.353
10	Cable tree with capacitor	432.319 A
11	Filister-head screw M 5x16	P...476 E
12	Cable clamp	4611085
13	Washer M 6	P...499 D