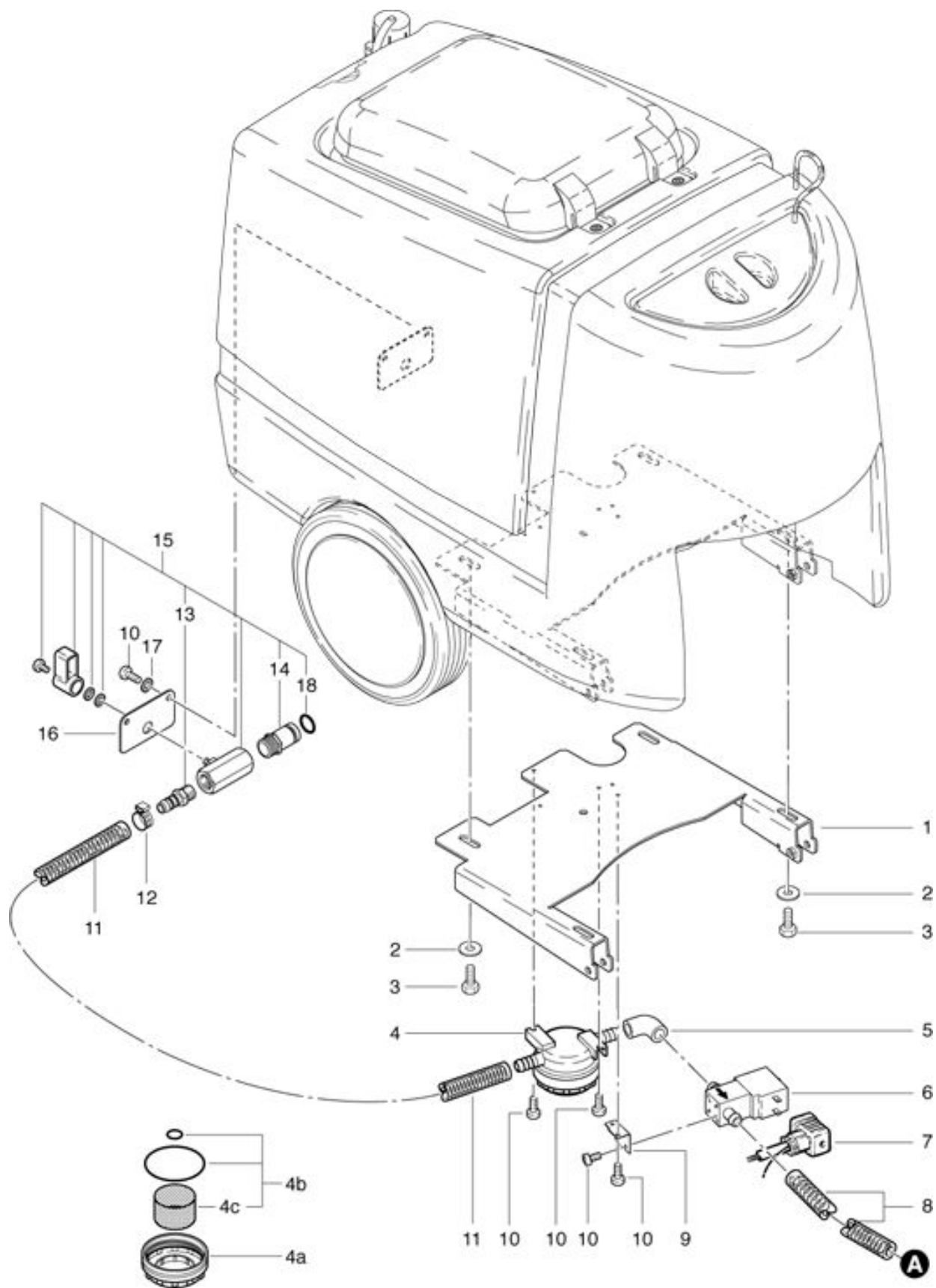


# RA 431 E Magnetic valve and Filter assembling

As at: 09/29/11 Time:14:31



## RA 431 E

### Magnetic valve and Filter assembling

As at: 09/29/11 Time:14:31

<b>Pos.</b>	<b>Description</b>	<b>Reference</b>
01	Girder sheet metal	432.052
02	Washer M 6	P...496 L
03	Cylindrical screw M 6x12	P...486 Q
04	Filter compl.	430.759
04a	Filter cover	430.258
04b	Filter kit	430.759 A
04c	Filter	430.759 B
05	Elbow	432.091
06	Magnetic valve 230 V	P...257
07	Cable for magnetic valve	432.710
08	Hose 620 mm	430.231
09	Angled support	432.096
10	Filister-head screw M 5x10	P...481 Z
11	Hose 0,46 m	432.151 A
12	Hose clip Ø 19.8 mm	P...550 N
13	Straight nipple	P...519 B
14	Nipple	432.087
15	Valve complete	432.085
16	Disk to ball valve	432.088
17	Spring ring M 5	P...498 D
18	O-ring 15.88x2x62 mm	P...960 O