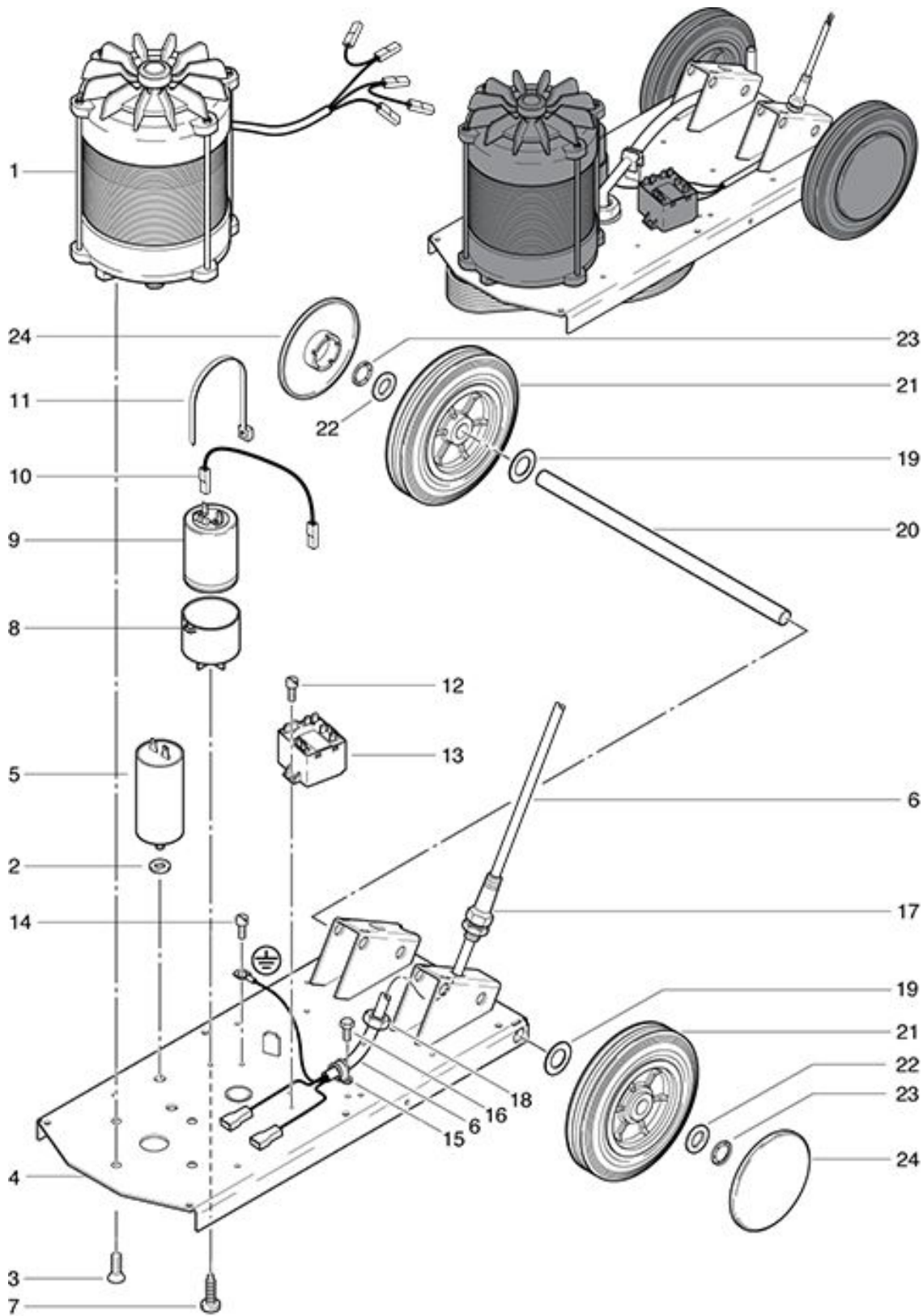


PowerDisc LS
Electronic and drive axle

As at: 10/20/11 Time:15:48



PowerDisc LS

Electronic and drive axle

As at: 10/20/11 Time:15:48

Pos.	Description	Reference
01	Motor	720.121
02	washer M 8	P...496 Q
03	Screw DIN 7991 M 8x12	P...479 R
04	Chassis compl.	726.101
05	'Capacitor 25 μ F	P...385 J
06	Cable-tree	720.312
07	Screw KA40x16	P...516 C
08	Holder for capacitor	741.316
09	Capacitor 125 μ F 47 kOhm	742.328
10	Wiring black	742.331
11	Cable tie 292 mm	P...424
12	Srew M 4x8	P...481 Q
13	Relais with	P...350
14	Screw M 4x8	P...481 Q
15	Cable support	P...281
16	Screw M 5x12	P...483 P
17	Cable grommet	P...279 K
18	Conter nut PG 9	P...279 H
19	Washer 16x28x0.5 mm	P...510
20	Wheel axe \varnothing 15x320 mm	720.040
21	Wheel 160 mm	741.075
22	Washer M 14	P...496 Y
23	Retaining ring	P...500 M
24	Wheel cover red	741.076