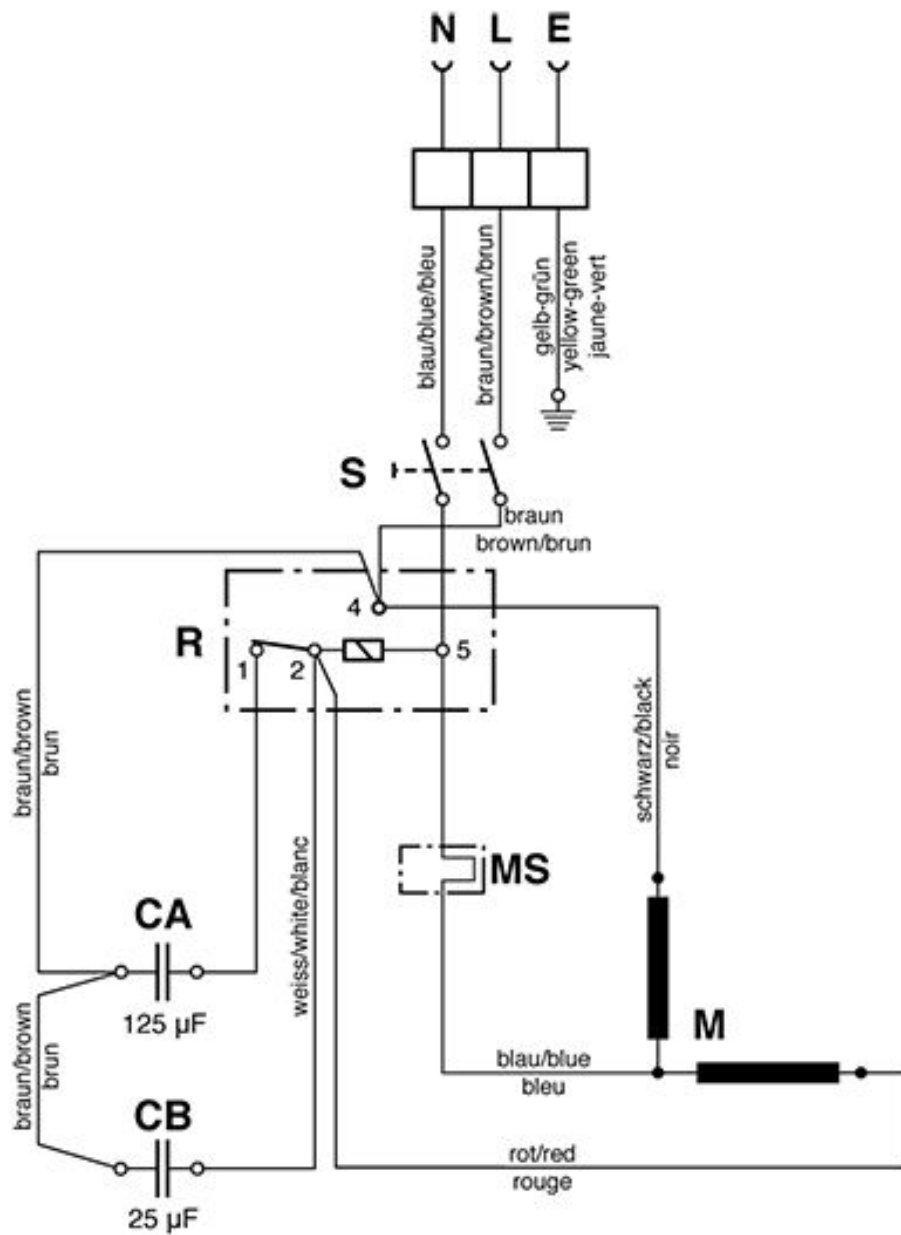


PowerDisc LS
Wiring diagram

As at: 10/20/11 Time:16:46



- S = Schalter Buerstmotor / Tumbler switch for motor / Interrupteur pour moteur
- R = Startrelais / Relais / Relais de démarrage
- CA = Anlaufkondensator 125 µF / Capacitor 125 µF / Capaciteur 125 µF
- CB = Betriebskondensator 25 µF / Capacitor 25 µF / Capaciteur 25 µF
- M = Motor / Motor / Moteur
- MS = Motorschutzschalter

PowerDisc LS

Wiring diagram

As at: 10/20/11 Time:16:46

Pos.	Description	Reference
CA	Capacitor 125 μ F	742.328
CB	Capacitor 25 μ F	P...385 J
M	Motor	720.121
MS		
R	Relais with	P...350
S	Tumbler switch for motor	6650454