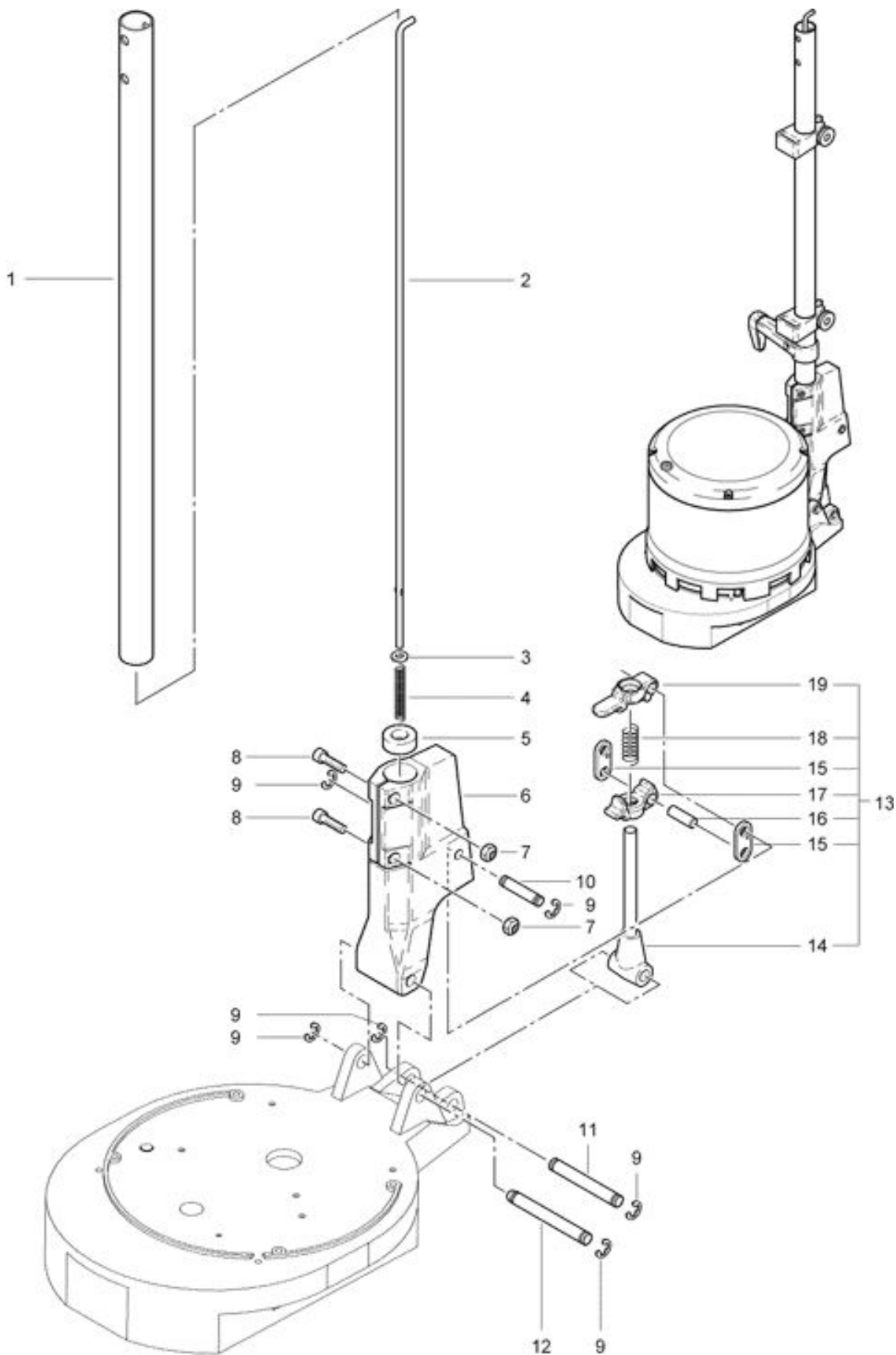


R 53 -1100 / Ultra High-Speed Shaft

As at: 10/21/11 Time:12:00



R 53 -1100 / Ultra High-Speed Shaft

As at: 10/21/11 Time:12:00

| Pos. | Description | Reference |
|-------------|--|------------------|
| 01 | Shaft tube | 742.410 L |
| 02 | Rod | 742.212 L |
| 03 | Compressing spring | 634711031 |
| 04 | Washer M 6 | P...496 K |
| 05 | Guide sleeve | 623711022 |
| 06 | Shaft adjustment unit red | 741.260 |
| 07 | Nut M 6 | P...490 D |
| 08 | Screw M 6x25 | P...486 T |
| 09 | Retaining washer | P...499 Q |
| 10 | Axle 10x50 | 672711018 |
| 11 | Axle | 672711017 |
| 12 | Axle | 672711016 |
| 13 | Shaft adjuster, complete including Items 14-19 | 2711133 |
| 14 | Adjuster shaft | 3711011 |
| 15 | Holder | 4711014 |
| 16 | Axle 10x29 | 672711019 |
| 17 | Adjuster short | 3711237 |
| 18 | Compressing spring | 634711020 |
| 19 | Adjuster long | 3711236 |
| 20 | Carrier | 6925312 |
| 21 | Countersunk screw M 6x20 | P...480 H |