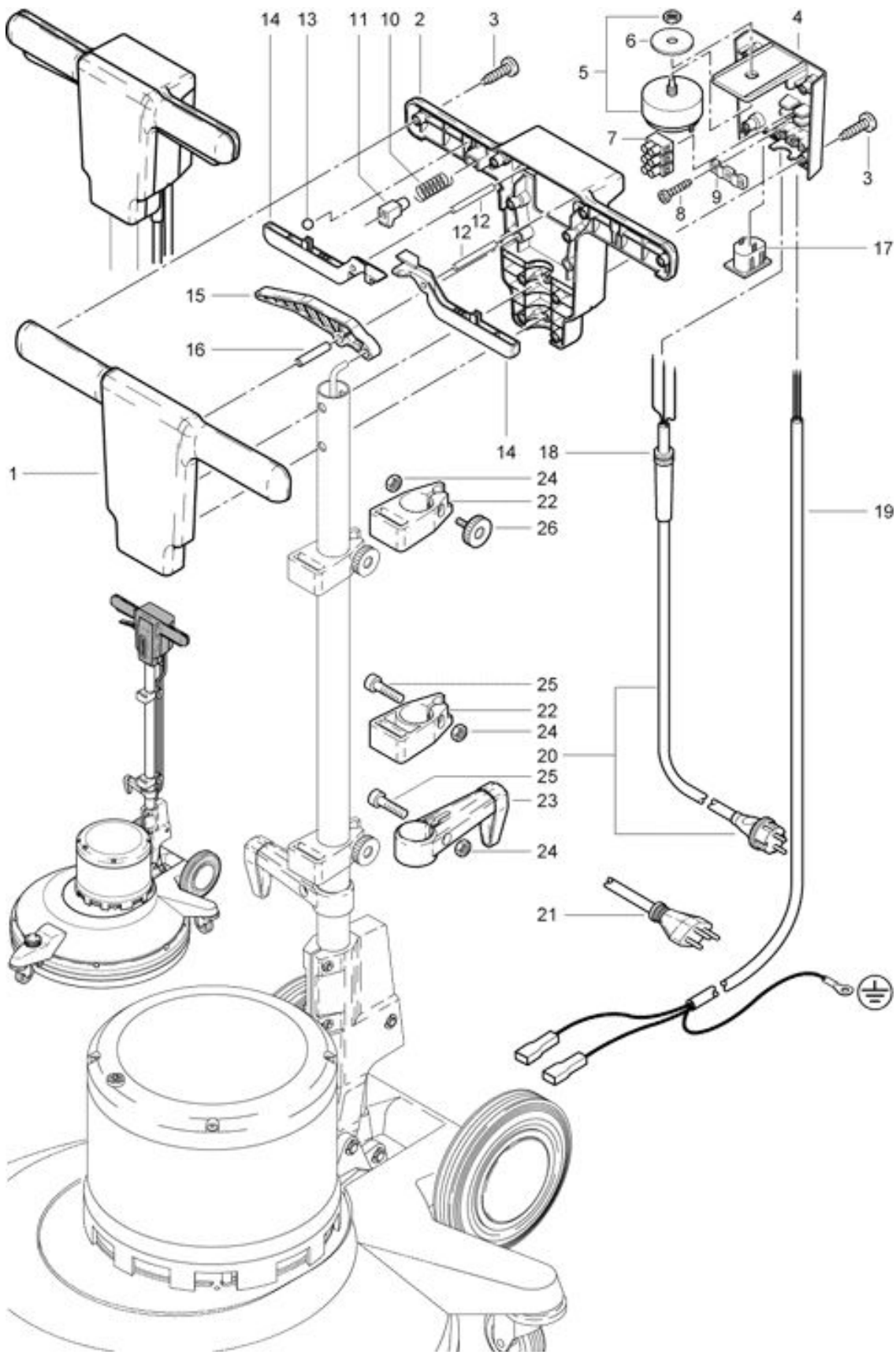


R 53 -1100 / Ultra High-Speed  
Top part front side

As at: 10/21/11 Time:12:07



# R 53 -1100 / Ultra High-Speed

## Top part front side

As at: 10/21/11 Time:12:07

<b>Pos.</b>	<b>Description</b>	<b>Reference</b>
01	Top part front side	741.201
02	Top part back side	741.202
03	PT-screw KA 50x25	P...515 L
04	Connection box	741.310
05	Switch	6650454
06	Washer Ø 12x37x3	P...496
07	Hose clamp	P...383 N
08	PT screw KA 50x20	P...515 K
09	Cable clamp	742.321
10	Belt	742.209
11	Security switch	742.208
12	Straight pin Ø 6x50	P...512 M
13	Ball Ø 8 mm	6440641
14	Switch handle	741.204
15	Shaft adjustment lever	741.207
16	Straight pin Ø 8x40	P...512 P
17	Plug socket	P...380 B
18	Antikink sleeve	660011014
19	Wiring for motor	782.310
20	Mains cable 20 m VDE	656020155
21	Mains cable 20 m SEV	65602015501
22	Solution tank holder	4.711.231
23	Cable hook	3.711.029
24	Hexagon nut M 6	P...490 D
25	Hexagon socket screw M 6x25	P...486 T
26	Star handle Ø 32 M 6x25	P...253 G